

**SHEET INDEX**

CONTENTS	SHEET NO.	ISSUE NO.																		
		1	2	3	4	5	6	7	8	9	10									
ASSOCIATED M & A PLANS NOTES (INFO., CKT. & EQUIP.) OPTION INDEX RECORD OF CHANGES SHEET INDEX SUPPORTING INFORMATION	A1	1	2																	
COMPLETE STATION CIRCUIT	B1	1	2																	
	B2		2																	
	B3		2																	
	B4		2																	
CALL CONTROL UNIT	C1	1	2																	
SMD, PARITY KYBD., NON PARITY KYBD., TRANS., AND PRINTER	C2	1	2																	
DATA SET	C3	1	2																	

**OPTION INDEX**

FEATURE	OPTION
LISTEN-ONLY HANDSET	R
E/W CARD DIALER	U
DIAL L.L. EXT.	<u>S</u>
NOT DIAL L.L. EXT.	T
MANUAL READER	<u>A</u>
AUTOMATIC READER (EXC. 87)	B
WHO-ARE-YOU (ADD. 102)	C
NON PARITY KEYBOARD	D
PARITY KYBD.	<u>E</u>

**INFORMATION NOTES**

- A. UNLESS OTHERWISE SPECIFIED ALL COLORED LEADS SHALL BE 22GA, BROWN, TYPE GS STATION WIRE PER A.T.&T. CO. SPEC. 7089.
- B. WIRE MAN SHALL LINE OUT ALL FIGURES NOT USED ON COPY OF WIRING PLAN WHICH ACCOMPANIES STATION.
- C. ASSOCIATED COMPANY ENGINEERING SHALL BE RESPONSIBLE FOR STATION ARRANGEMENTS OTHER THAN THOSE CONTAINED IN THE TP-581.000 TELETYPEWRITER STATION CODING PLAN.
- D. UNLESS OTHERWISE SPECIFIED: RESISTANCE VALUES ARE IN OHMS. CAPACITANCE VALUES ARE IN MICROFARADS. VALUES PRECEDED BY THE SYMBOL + (PLUS) OR - (MINUS) ARE IN VOLTS.

**CIRCUIT NOTES**

- 101. 101C DATA SET:  
PROVIDE STRAP "S" (D51 TO D52) ON 101C DATA SET WHEN "DIAL LONG LINE EXTENSION IS PROVIDED OR STRAP "T" (D53 TO D54) WHEN "DIAL LONG LINE EXTENSION" IS NOT PROVIDED.
- WIRE POWER CORD FOR 101C RECTIFIER TO TERMINALS K1, K2 & K4 IN CALL CONTROL UNIT AS SHOWN.
- 102. THE "FORM-OUT" AND "F.O., MOTOR HOLD, T.D. STOP" CONTACTS ARE FURNISHED ONLY ON SPROCKET FEED UNITS.
- 103. WIRE BUZZER "L" BETWEEN TERMINALS TR6 AND TR8 WHEN SPECIFIED.
- 104. PROVIDE "R" OPTION WHEN A "LISTEN-ONLY HANDSET" IS REQUIRED. (BETWEEN K5 & K6)
- 105. WHEN A ROTARY CARD DIAL (EXC. 84B) IS SPECIFIED, IT IS WIRED IN SERIES WITH THE ROTARY DIAL AS SHOWN.
- 106. WHEN THE AUTOMATIC READER IS REQUIRED, MODIFY T.D. AND WIRE "X-ON" AND "X-OFF" CONTACTS IN PRINTER AS SHOWN.
- 107. WHEN "WRU" FEATURE IS PROVIDED, MOVE YELLOW LEAD FROM "X-OFF" CONTACT (AQ-5) AND PLACE ON "WRU" CONTACT (AR-14).
- 108. WHEN THE "TD CALL-IN" FEATURE IS REQUIRED, WIRE CONTACT BETWEEN "X-ON" (AP-8) AND "X-OFF" (AQ-5) AS SHOWN.

REQ. NO. 498 RA 49569  
SHOP ORDER NO. 285

**RECORD OF CHANGES**

ISSUE 1 10-15-62 EHT  
REVISED TO INCORPORATE CHANGES TO EQUIPMENT AND CHANGE TO NEW FORMAT

ISSUE 2 1-15-65 EHT

**ASSOCIATED M & A PLANS**

M PLAN	A PLAN
M6182	A6150
M6184	
+SUBSTITUTION	
+EXC. 84A OR 84B	

**SUPPORTING INFORMATION**

CATEGORY	ISSUED BY	NO.
JLD101C DATA SET	B.T.L.	SD-3D007

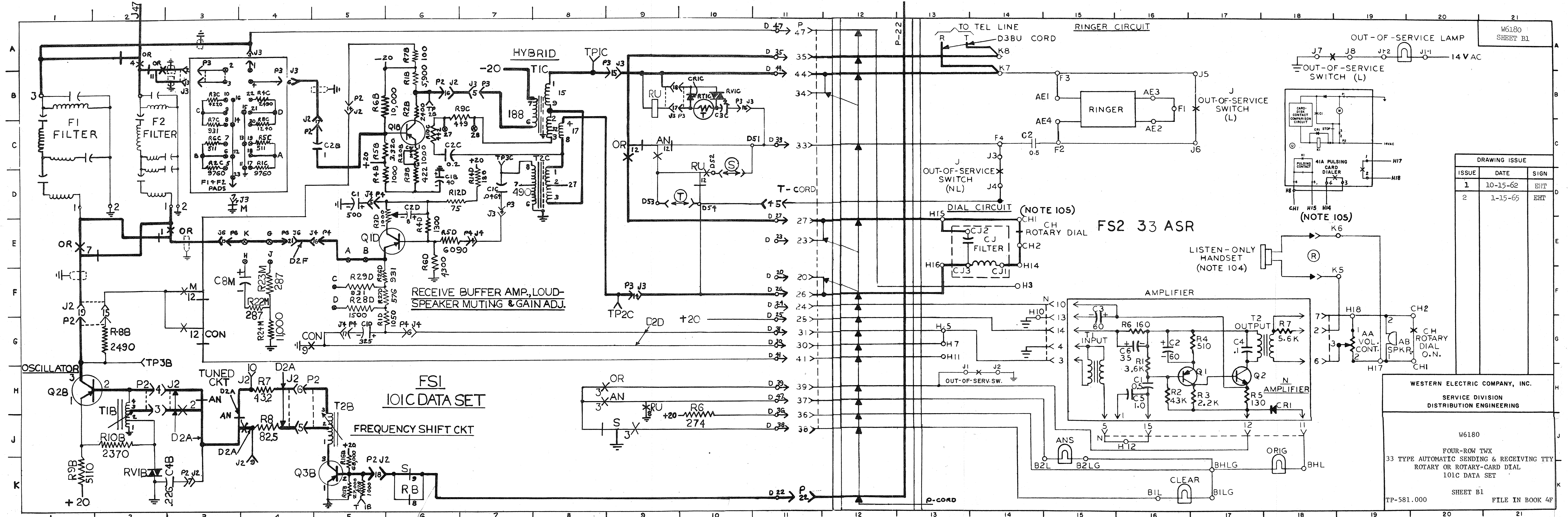
**SHEET INDEX NOTES**

1. WHEN CHANGES ARE MADE IN THIS DRAWING, ONLY THOSE SHEETS AFFECTED WILL BE REISSUED.
2. THIS SHEET INDEX WILL BE REISSUED AND BROUGHT UP TO DATE EACH TIME ANY SHEET OF THE DRAWING IS REISSUED, OR A NEW SHEET IS ADDED.
3. THE ISSUE NUMBER ASSIGNED TO A CHANGED OR NEW SHEET WILL BE THE SAME ISSUE NUMBER AS THAT OF THE SHEET INDEX.
4. SHEETS THAT ARE NOT CHANGED WILL RETAIN THEIR EXISTING ISSUE NUMBER.
5. THE LAST ISSUE NUMBER OF THE SHEET INDEX IS RECOGNIZED AS THE LATEST ISSUE NUMBER OF THE DRAWING AS A WHOLE.

**WESTERN ELECTRIC COMPANY, INC.**

**SERVICE DIVISION  
DISTRIBUTION ENGINEERING**

W6180  
8 SHEETS  
FOUR-ROW TWX  
33 TYPE AUTOMATIC SENDING & RECEIVING TTY  
ROTARY OR ROTARY-CARD DIAL  
101C DATA SET  
SHEET A1  
TP-581.000 FILE IN BOOK 4F



DRAWING ISSUE

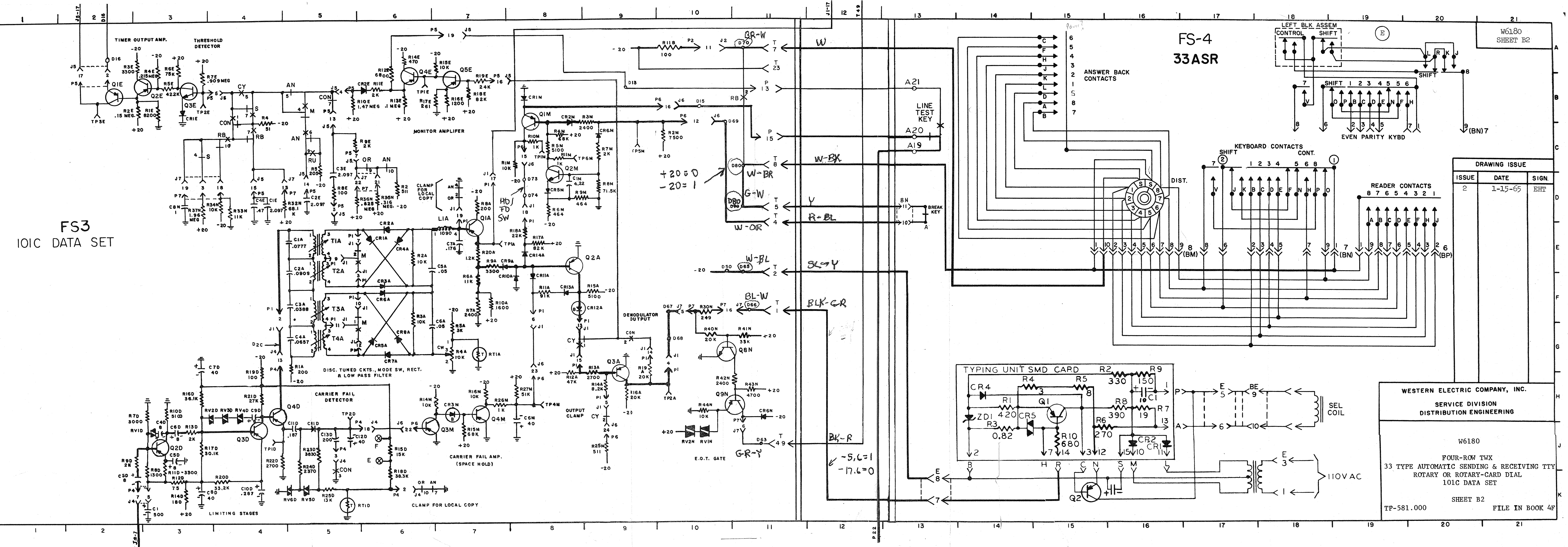
ISSUE	DATE	SIGN
1	10-15-62	EHT
2	1-15-65	EHT

WESTERN ELECTRIC COMPANY, INC.  
 SERVICE DIVISION  
 DISTRIBUTION ENGINEERING

W6180  
 FOUR-ROW TWX  
 33 TYPE AUTOMATIC SENDING & RECEIVING TTY  
 ROTARY OR ROTARY-CARD DIAL  
 101C DATA SET

SHEET B1  
 TP-581.000 FILE IN BOOK 4F

# FS-4 33ASR



FS3  
101C DATA SET

### DRAWING ISSUE

ISSUE	DATE	SIGN.
2	1-15-65	EHT

WESTERN ELECTRIC COMPANY, INC.  
SERVICE DIVISION  
DISTRIBUTION ENGINEERING

W6180  
 FOUR-ROW TWX  
 33 TYPE AUTOMATIC SENDING & RECEIVING TTY  
 ROTARY OR ROTARY-CARD DIAL  
 101C DATA SET  
 SHEET B2  
 TP-581.000 FILE IN BOOK 4F

### FS6 33ASR

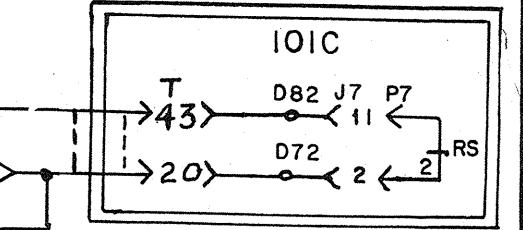
### TD & ANSWERBACK CONTROL CKTS.

### FS 5 IOIC DATA SET

### RESTRAINER

### 6 SEC. AUTO. DISCONNECT TIMER

### MANUAL READER POWER PACK

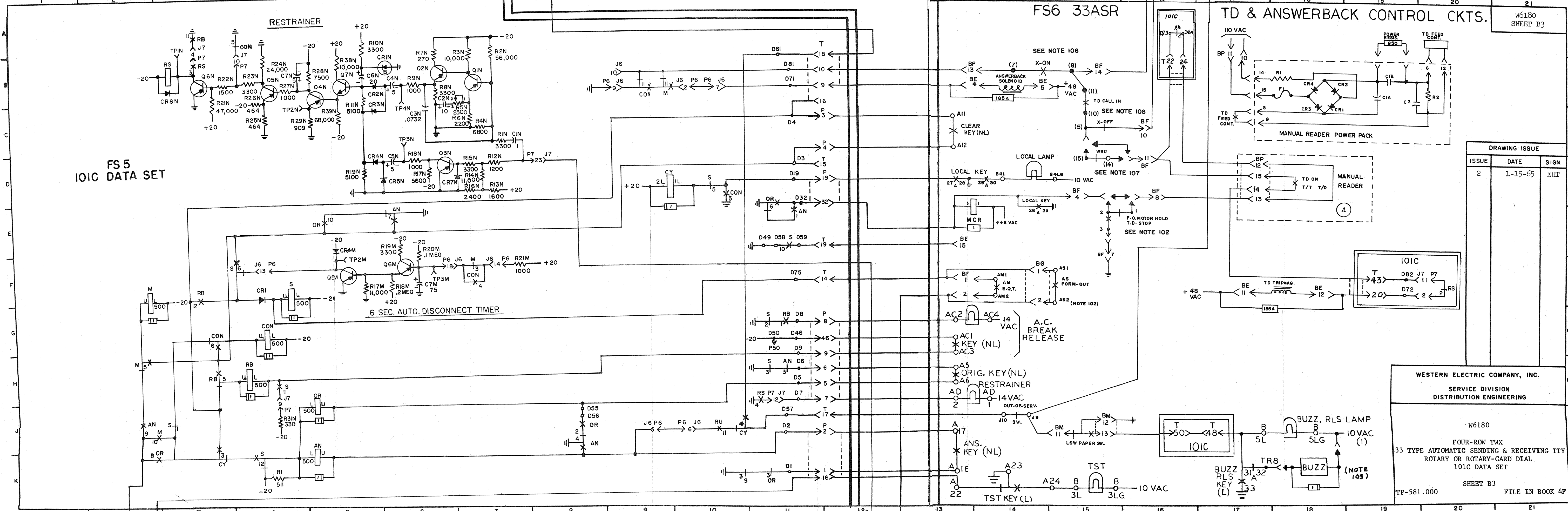


#### DRAWING ISSUE

ISSUE	DATE	SIGN.
2	1-15-65	EHT

WESTERN ELECTRIC COMPANY, INC.  
SERVICE DIVISION  
DISTRIBUTION ENGINEERING

W6180  
FOUR-ROW TWX  
33 TYPE AUTOMATIC SENDING & RECEIVING TTY  
ROTARY OR ROTARY-CARD DIAL  
IOIC DATA SET  
SHEET B3  
TP-581.000 FILE IN BOOK 4F

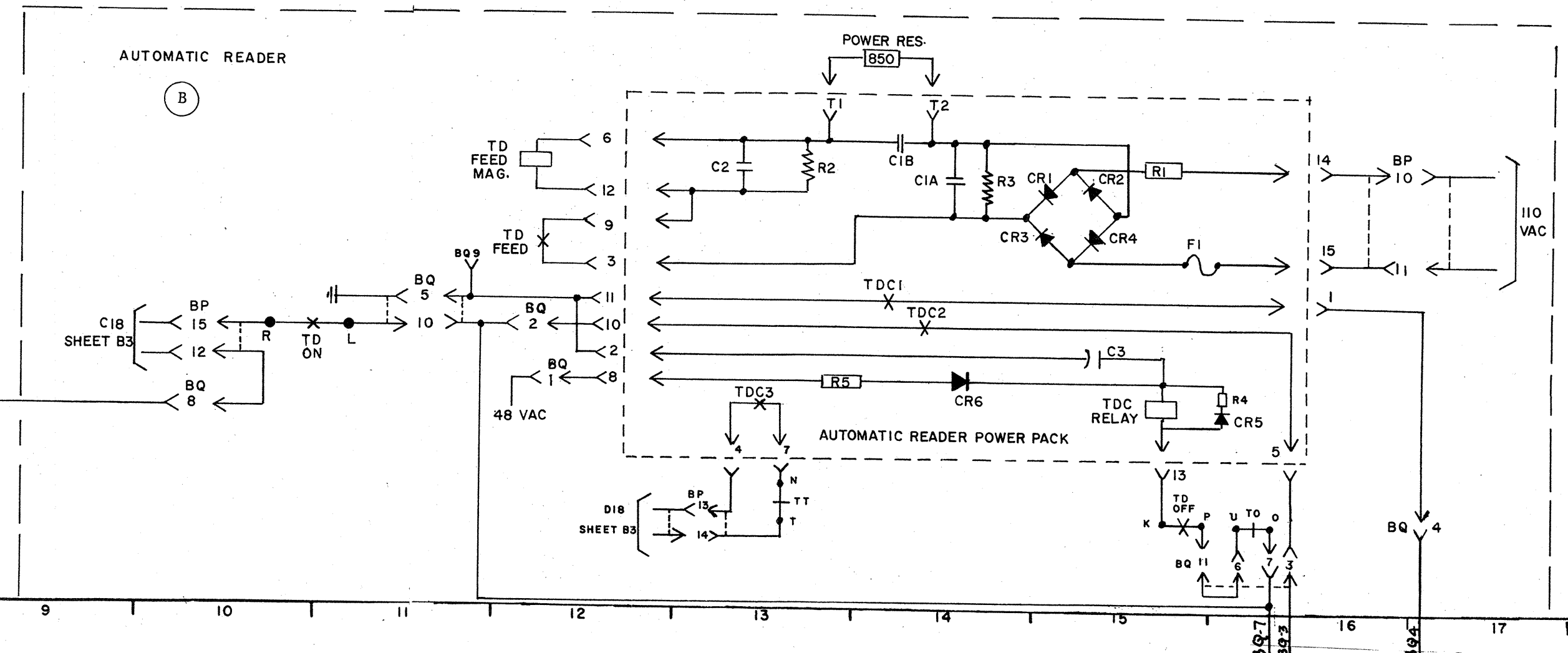
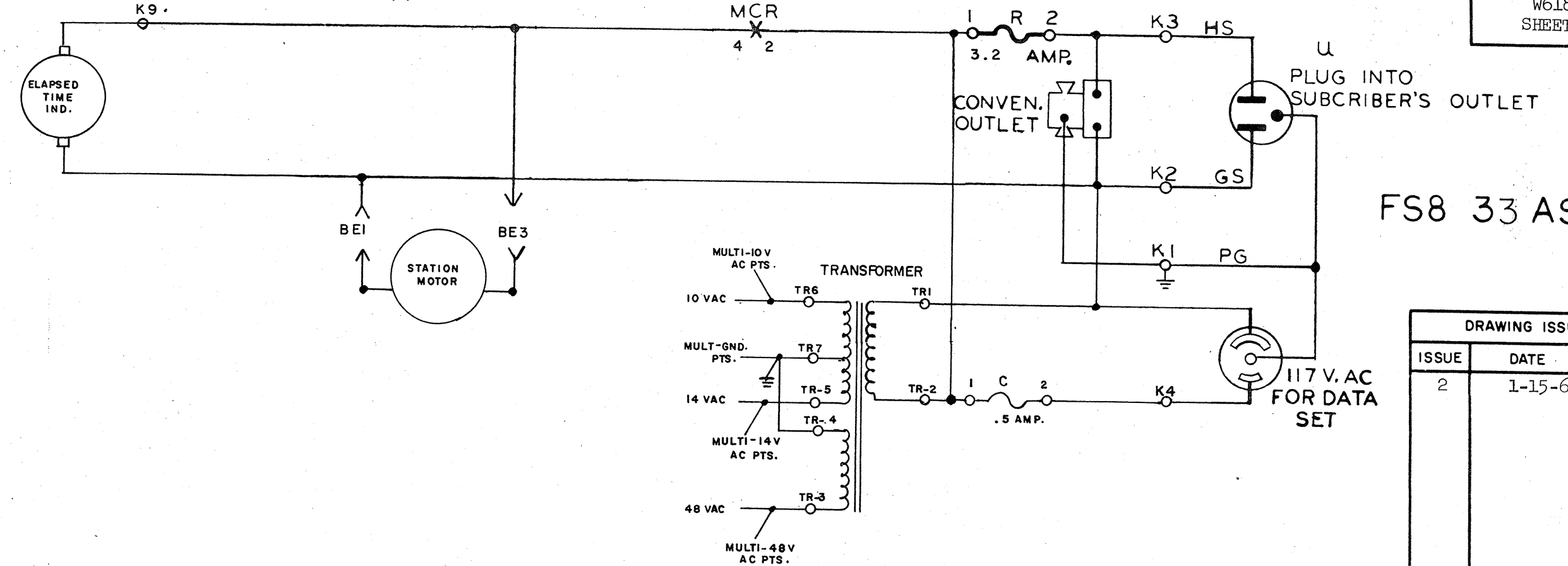
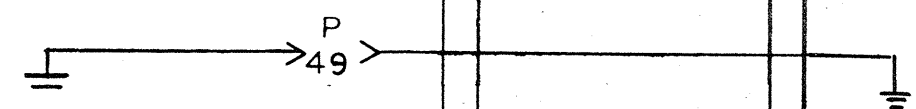


FS-7  
101C DATA SET

POWER CKT

FS8 33 ASR

W6180  
SHEET B4

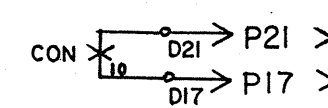


DRAWING ISSUE		
ISSUE	DATE	SIGN.
2	1-15-65	EHT

WESTERN ELECTRIC COMPANY, INC.  
SERVICE DIVISION  
DISTRIBUTION ENGINEERING

W6180  
FOUR-ROW TWX  
33 TYPE AUTOMATIC SENDING & RECEIVING TTY  
ROTARY OR ROTARY-CARD DIAL  
101C DATA SET

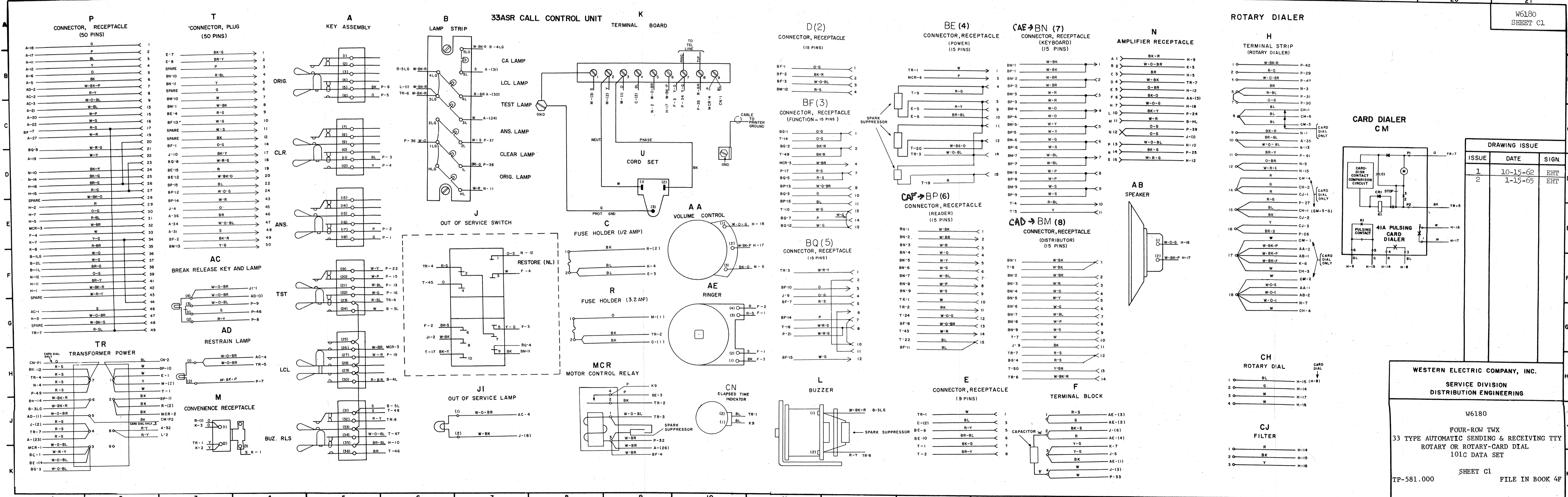
SHEET B4  
TP-581.000 FILE IN BOOK 4F



T18

BQ 7  
BQ 3

BQ 4



DRAWING ISSUE

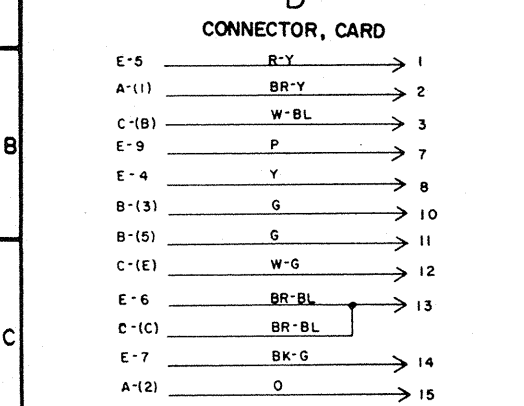
ISSUE	DATE	SIGN.
1	10-15-62	EHT
2	1-15-65	EHT

WESTERN ELECTRIC COMPANY, INC.  
 SERVICE DIVISION  
 DISTRIBUTION ENGINEERING

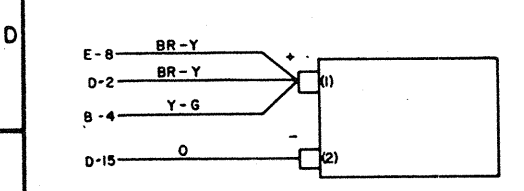
W6180  
 FOUR-ROW TWX  
 33 TYPE AUTOMATIC SENDING & RECEIVING TTY  
 ROTARY OR ROTARY-CARD DIAL  
 101C DATA SET

SHEET C1  
 TP-581.000 FILE IN BOOK 4F

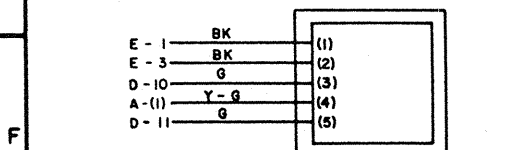
TYPING UNIT SELECTOR MAGNET DRIVER



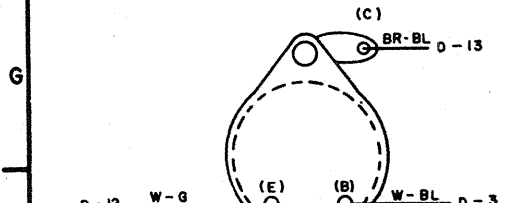
A CAPACITOR, FILTER



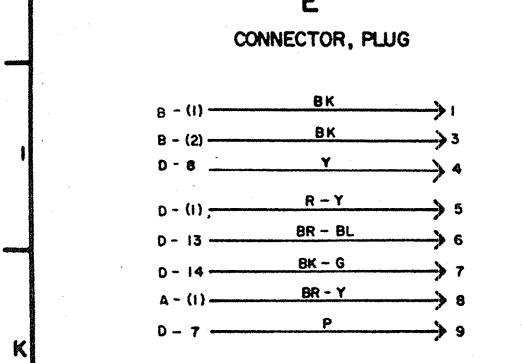
B TRANSFORMER, POWER



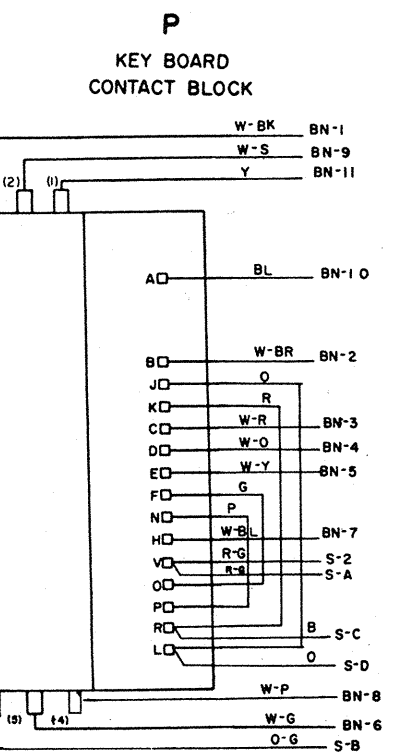
C TRANSISTOR, POWER



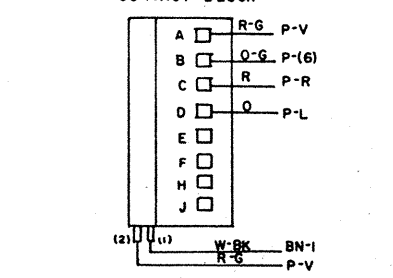
E CONNECTOR, PLUG



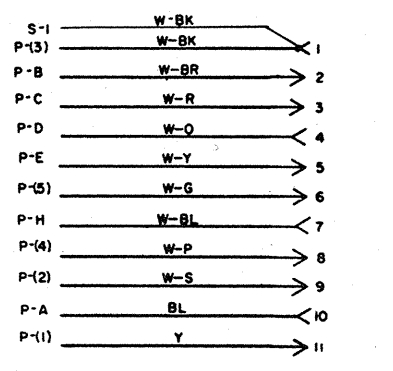
33 KEYBOARD PARITY



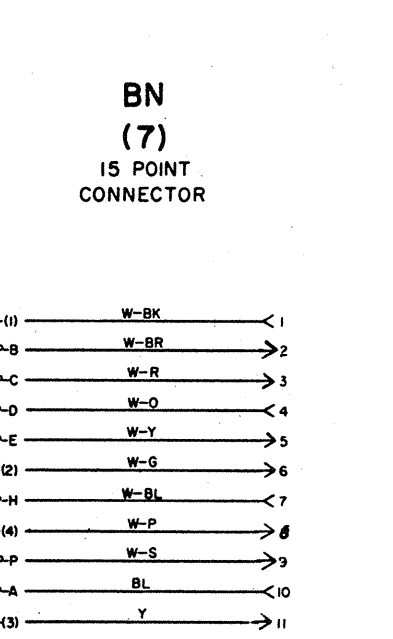
S LEFT CONTACT BLOCK



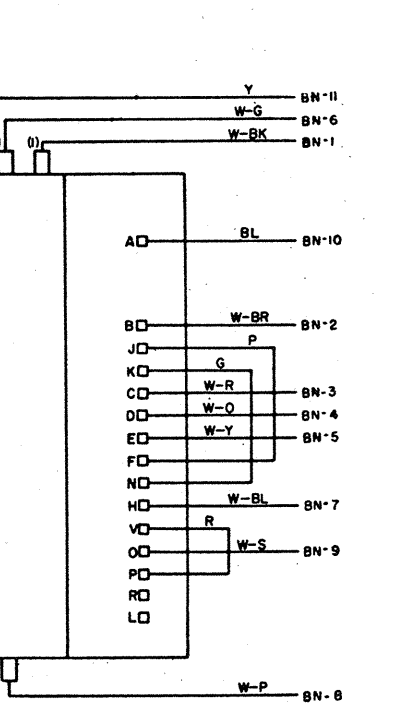
BN (7) 15 POINT CONNECTOR



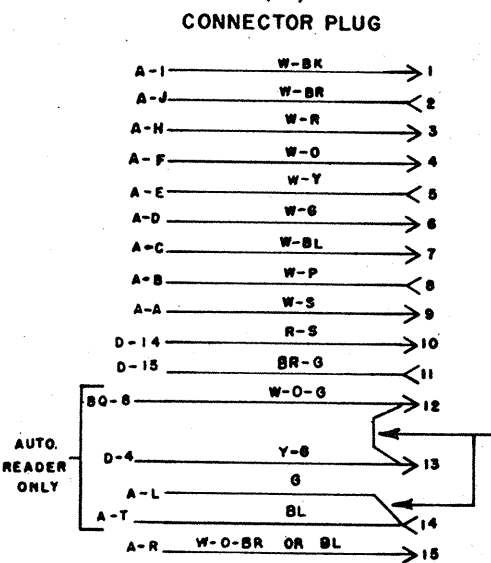
33 KEYBOARD NON-PARITY



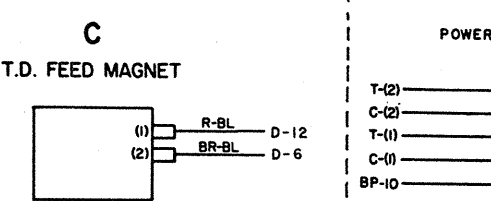
P KEY BOARD CONTACT BLOCK



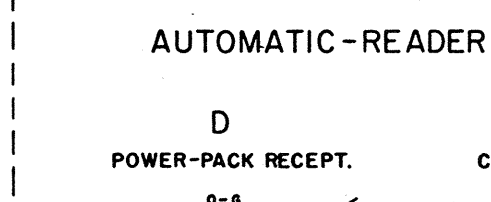
8 LEVEL TRANSMITTER BP (6)



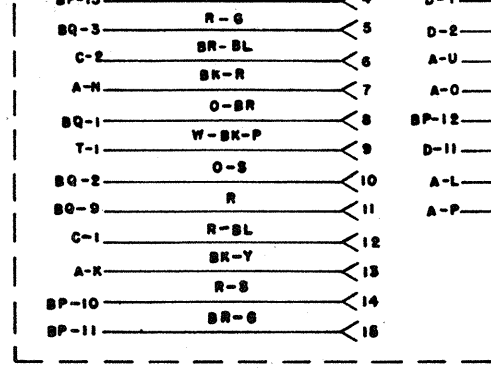
C T.D. FEED MAGNET



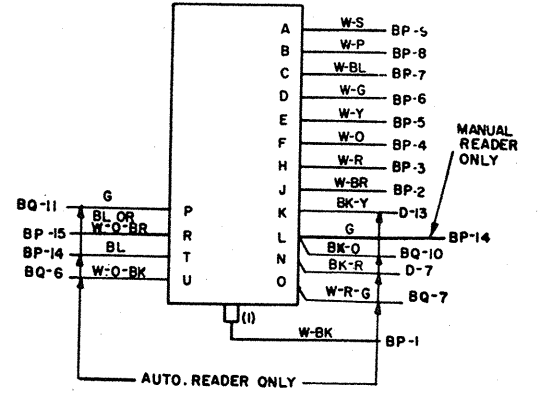
D POWER PACK RECEPT.



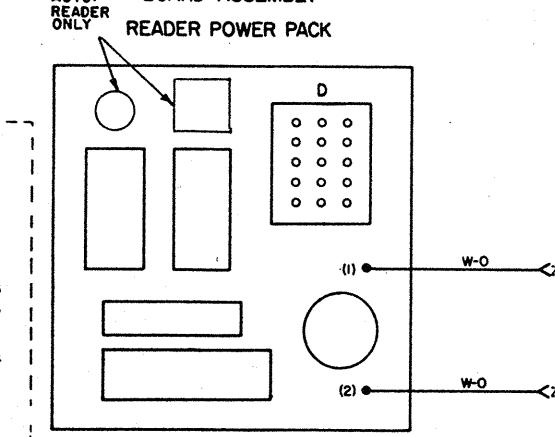
BQ (5) 15 POINT CONNECTOR



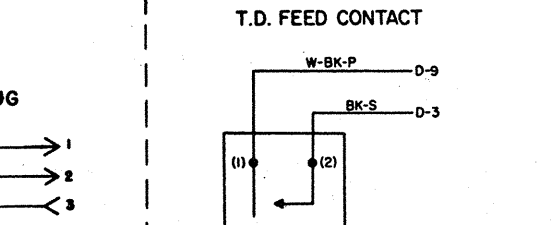
A T.D. CONTACT BLOCK



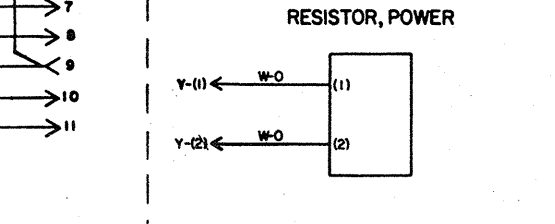
Y BOARD ASSEMBLY READER POWER PACK



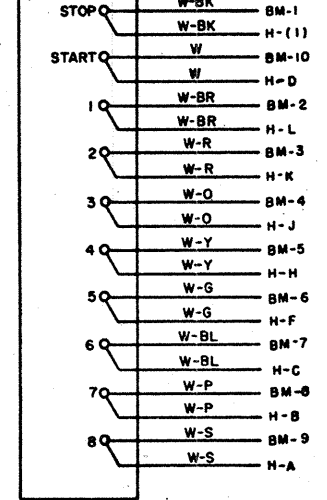
T T.D. FEED CONTACT



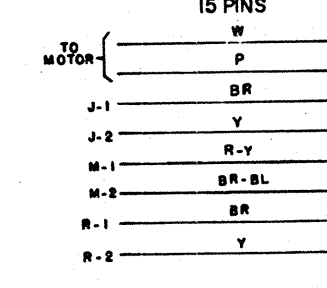
Z RESISTOR, POWER



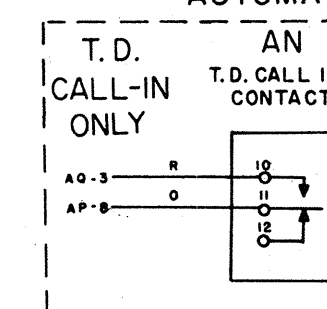
N DISTRIBUTOR DISC



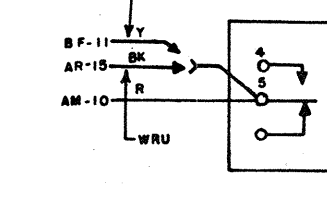
BE (4) 15 PINS



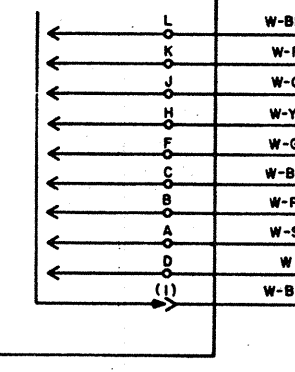
AN T.D. CALL-IN CONTACT



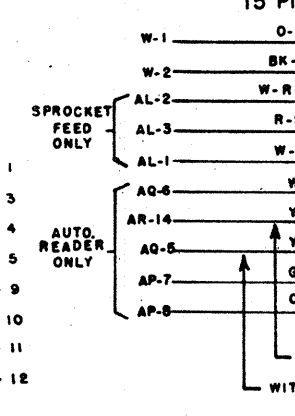
AQ X-OFF CONT.



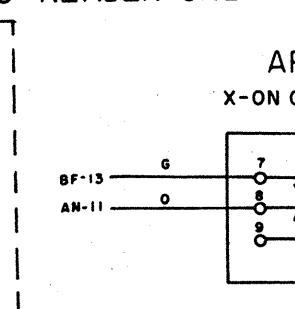
H ANSWER BACK BLOCK



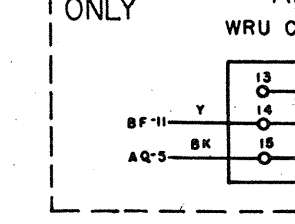
BF (3) 15 PINS



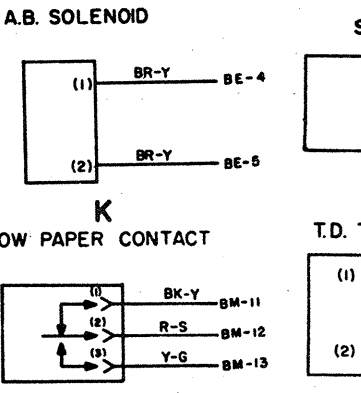
AP X-ON CONT.



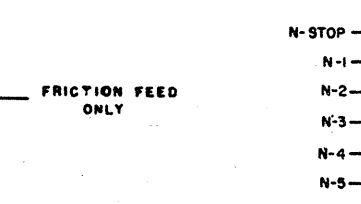
AR WRU ONLY



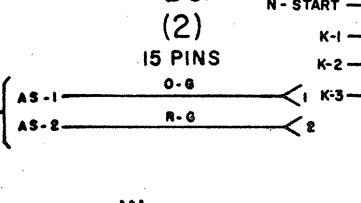
33 PRINTER



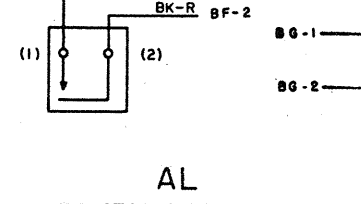
K LOW PAPER CONTACT



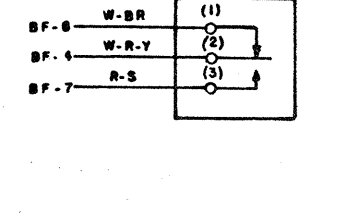
BG (2) 15 PINS



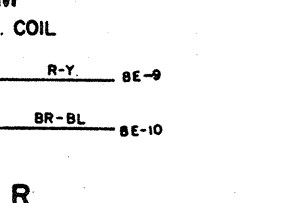
W E.O.T. CONTACT



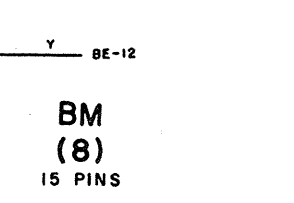
AL T.D. STOP, MOTOR HOLD FORM OUT CONT.



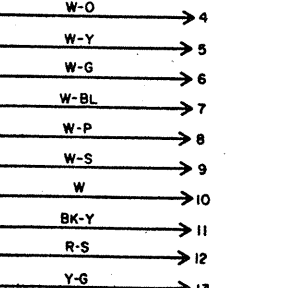
M SEL. COIL



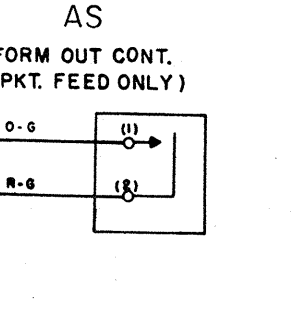
R T.D. TRIP MAGNET



N-STOP



AS FORM OUT CONT. (SPKT. FEED ONLY)



DRAWING ISSUE

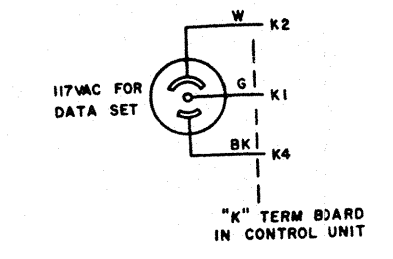
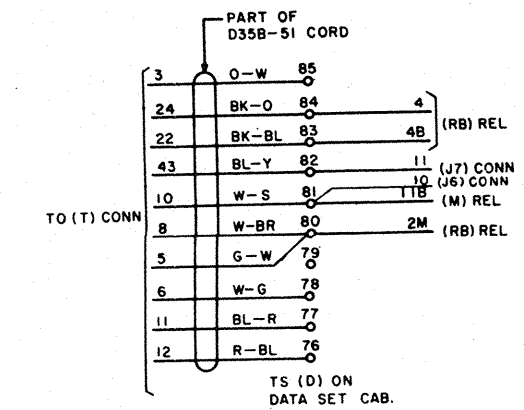
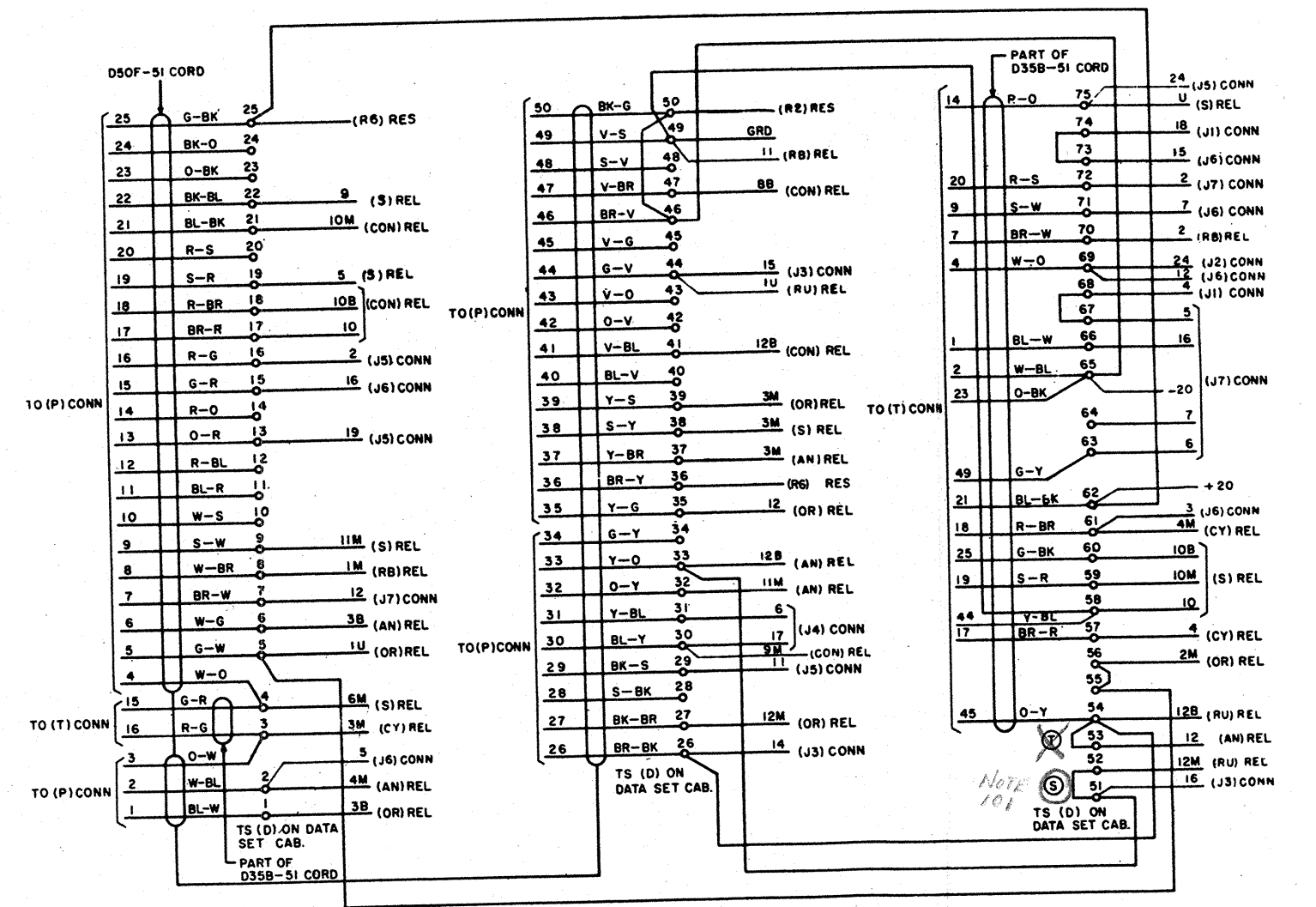
ISSUE	DATE	SIGN.
1	10-15-62	EHT
2	1-15-65	EHT

WESTERN ELECTRIC COMPANY, INC.  
 SERVICE DIVISION  
 DISTRIBUTION ENGINEERING

W6180  
 FOUR-ROW TWX  
 33 TYPE AUTOMATIC SENDING & RECEIVING TTY  
 ROTARY OR ROTARY-CARD DIAL  
 101C DATA SET

SHEET C2  
 TP-581.000 FILE IN BOOK 4F

101C DATA SET SEE NOTE 101



DRAWING ISSUE		
ISSUE	DATE	SIGN.
1	10-15-62	EHT
2	1-15-65	EHT

WESTERN ELECTRIC COMPANY, INC.  
SERVICE DIVISION  
DISTRIBUTION ENGINEERING

W6180  
FOUR-ROW TWX  
33 TYPE AUTOMATIC SENDING & RECEIVING TTY  
ROTARY OR ROTARY-CARD DIAL  
101C DATA SET

SHEET C3  
TP-581.000 FILE IN BOOK 4F