

ISSUE CONTROL RECORD

7888 WD

NO.

NOTES

SUPPORTING INFORMATION

CONTENTS

SHEET NO.

ISSUE

REVISIONS APPLYING TO THIS CONTROL RECORD

CATEGORY

NO.

2	3	4	5	6	7	8	9	10	11	12	13	14	15	16	17	18	19
---	---	---	---	---	---	---	---	----	----	----	----	----	----	----	----	----	----

ISSUE	DATE	AUTH. NO.
1	2-23-66	17470-R
2	6-7-66	89162
3	6-10-66	89476-1
4	6-29-66	90965
5	9-8-66	91193
6	11-4-66	91413
7	11-12-66	92184 RC
8	1-30-67	93113 RC
9	2-22-67	93003-1

1	X	X	X	X	X													
2																		
3	X	X	X	X	X													
4	X	X	X	X														
5	X	X																

ISSUE CONTROL SHEET 1 OF 1

ACTUAL WIRING DIAGRAM FOR CALL CONTROL UNIT UCC-3 MODEL 33 8 LEVEL AUTOMATIC SEND-RECEIVE (ASR) SEND-RECEIVE (KSR)

W.D. NUMBER 7888WD
 DRAWN [] CHKD. *JLL*
 ENGD. J.W.S. APPD. []

TELETYPE CORPORATION

7888 WD

NOTE:
REVISION INFORMATION MUST
ALSO BE REFLECTED ON THE
ISSUE CONTROL RECORD, WHICH
IS A PART OF THIS DRAWING.

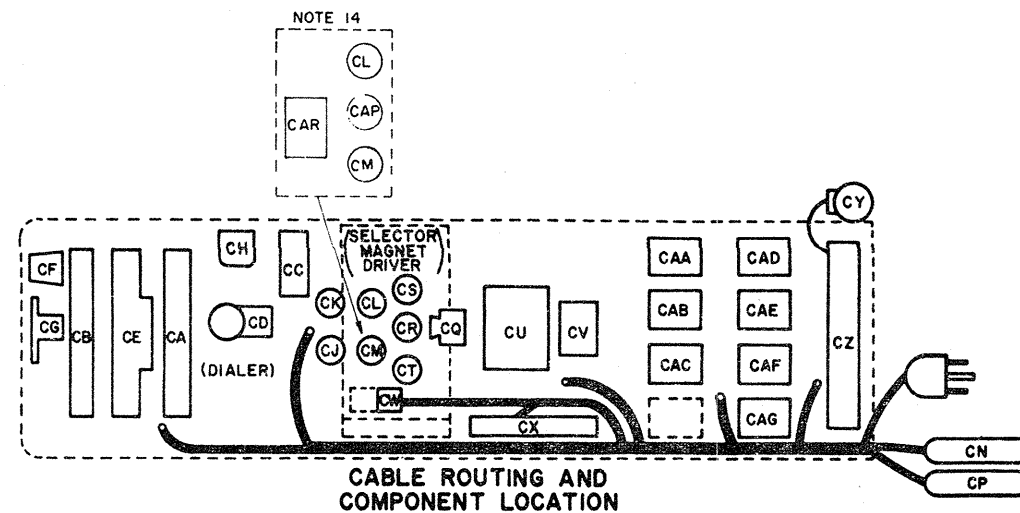
7888 WD

REVISIONS

ISSUE	DATE	AUTH. NO.
1	2-23-66	17470-R
2	6-7-66	89162
3	6-10-66	89476-1
4	9-8-66	91193
5	11-4-66	91413
6	1-30-67	93113 RC

NO.	NOTES									
1.	<p>WIRING LEGEND</p> <p>DISTANT TERMINATING AREA DISTANT TERMINATING DESIGNATION COLOR CODE</p> <p>CN6-BK</p>									
2.	<p>WIRE COLOR CODE:</p> <p>BK-BLACK BR-BROWN W-WHITE O-ORANGE P-PURPLE BL-BLUE Y-YELLOW S-SLATE G-GREEN R-RED</p>									
3.	TERMINALS DESIGNATED () DO NOT APPEAR ON COMPONENT.									
4.	CONNECTORS ARE VIEWED FROM WIRED END.									
5.	* DENOTES 20 AWG WIRE. ALL OTHER WIRING 24 AWG. ^ DENOTES 18 AWG WIRE.									
6.	FOR SCHEMATIC WIRING DIAGRAM SEE 7882 WD.									
7.	ASSOCIATED UNIT ACTUAL WIRING DIAGRAMS: 7884WD PRINTER-UP800,801,802,803,820 7885WD KEYBOARD-UK800,804 7886WD MOTOR 7887WD TAPE READER-UX800,801 4970WD SELECTOR MAGNET DRIVER									
8.	FOR TELETYPE PERSONNEL REFERENCE: SPECIFICATION 60,531S - MODEL 33 ASR SPECIFICATION 60,532S - MODEL 33 KSR									
9.	MAIN CABLE ASSEMBLY - 182671									
10.	THESE WIRES ARE SPARES. EACH IS TERMINATED NEAR THE 182717 TERMINAL STRIP, TAPED AND TIED BACK.									
11.	182539 CONNECTOR RECEPTACLE NO.5 AND ASSOCIATED WIRING ADDED TO PROVIDE FACILITIES FOR OPTIONAL AUTOMATIC READER CONTROL (182491 MODIFICATION KIT IS USED TO UPDATE EARLIER STYLE CALL CONTROL FOR AUTOMATIC READER CONTROL.) ON EARLY UNITS CONNECTOR 3 WILL CONTAIN MALE TERMINALS IN POSITIONS 5 AND 6 AND A FEMALE TERMINAL IN POSITION 3									
12.	182287 WIRE STRAP ADDED TO FACILITATE INSTALLATION OR REMOVAL OF 181265 ELAPSED TIME INDICATOR.									
13.	FUSEHOLDER ADDED TO PROVIDE FUSE PROTECTION FOR POWER TRANSFORMER.									
	<table border="1"> <thead> <tr> <th>TRANSFORMER</th> <th>FUSE</th> <th>FUSE PART NO.</th> </tr> </thead> <tbody> <tr> <td>181279</td> <td>1/2 AMP. SLOW-BLOW</td> <td>117176</td> </tr> <tr> <td>182657</td> <td>8/10 AMP. SLOW-BLOW</td> <td>162360</td> </tr> </tbody> </table> <p>SOME UNITS MAY HAVE A BROWN LEAD OF 20 AWG INSTEAD OF 24AWG FROM CS (1) TO CU2 AND A BLACK LEAD OF 20 AWG INSTEAD OF 18 AWG FROM CT (1) TO CV2.</p>	TRANSFORMER	FUSE	FUSE PART NO.	181279	1/2 AMP. SLOW-BLOW	117176	182657	8/10 AMP. SLOW-BLOW	162360
TRANSFORMER	FUSE	FUSE PART NO.								
181279	1/2 AMP. SLOW-BLOW	117176								
182657	8/10 AMP. SLOW-BLOW	162360								
14.	APPLIES TO UNITS CONTAINING PRINT NONPRINT OPTION. 183986 MODIFICATION KIT.									
15.	WIRE CHANGE ADDED TO MAKE AUTO-MATIC READER OPERATABLE IN THE LOCAL "OUT OF SERVICE" MODE WHEN SET IS USED WITH EITHER THE 101-C OR 105-A DATA SETS.									
16.	UNUSED SPARK SUPPRESSOR REMOVED AND ASSOCIATED WIRING REMOVED OR CHANGED TO SUIT. ON SOME UNITS CONNECTOR NO. 4 WILL CONTAIN FEMALE TERMINALS IN POSITION 14 & 15									
17.	SOME UNITS MAY HAVE A SLATE LEAD OF 20 AWG. INSTEAD OF 18 AWG. FROM CQ (3) TO CZ1.									

NO.	NOTES
18.	<p>WIRING STATUS:</p> <p>RECTANGULAR BOX INDICATES HISTORY OF WIRING CHANGES</p> <p>NOTE NUMBER</p> <p>8 - DENOTES WIRING BEFORE THE CHANGE DESCRIBED BY THE DESIGNATED NOTE ENTERED THE PRODUCT.</p> <p>A - DENOTES WIRING AFTER THE CHANGE DESCRIBED BY THE DESIGNATED NOTE ENTERED THE PRODUCT.</p>



SEE ISSUE CONTROL RECORD FOR COMPLETE LIST OF SHEETS COMPRISING THIS WD.

SHEET 1

ACTUAL WIRING DIAGRAM FOR CALL CONTROL UNIT UCC-3 MODEL 33 8 LEVEL AUTOMATIC SEND-RECEIVE (ASR) SEND-RECEIVE (KSR)

APPROVALS

D AND R

E OF M

E-NUMBER

PROD. NO. 7888WD

DATE 10-12-66

P.D. FILE NO. G-A152AA

DRAWN R.H.B.

CHKD. *file*

ENGD. J.W.S.

APPD. *art*

TELETYPE CORPORATION

7888 WD

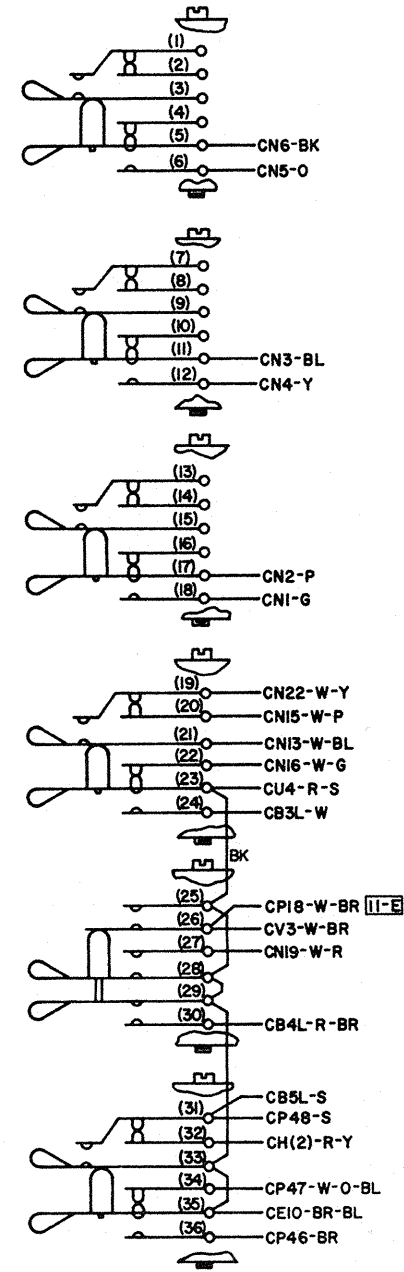
NOTE:
REVISION INFORMATION MUST
ALSO BE REFLECTED ON THE
ISSUE CONTROL RECORD, WHICH
IS A PART OF THIS DRAWING.

7888 WD

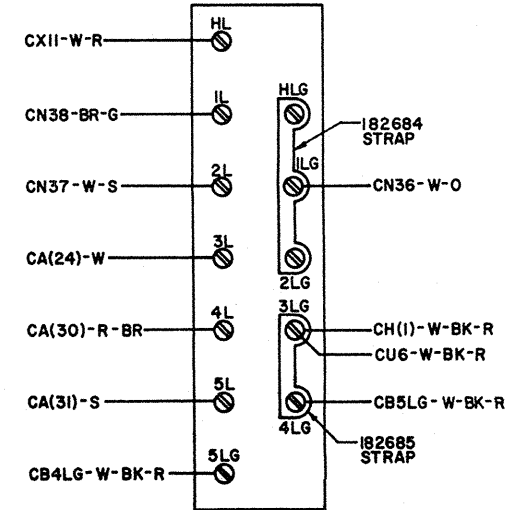
REVISIONS

ISSUE	DATE	AUTH. NO.
1	2-23-66	17470-R

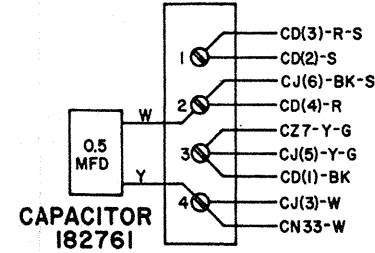
CA
KEY ASSEMBLY
182582



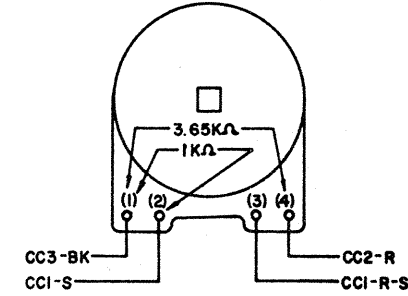
CB
LAMP STRIP
193438



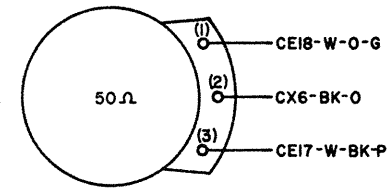
CC
TERMINAL BLOCK
151415



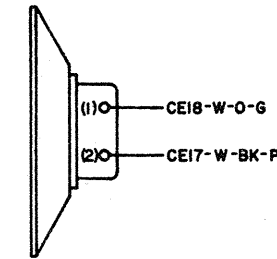
CD
RINGER
182503



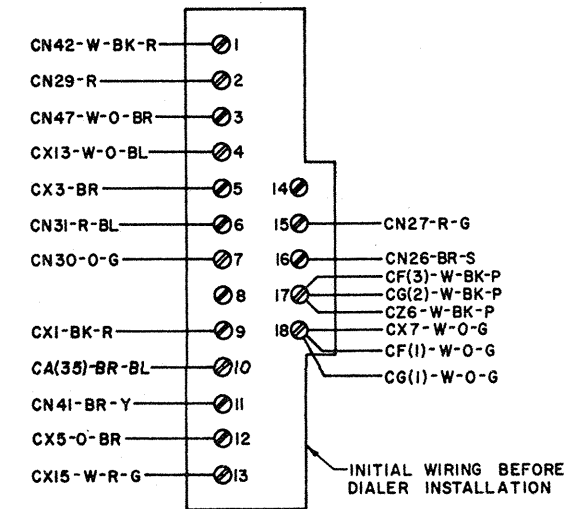
CF
VOLUME CONTROL
182683



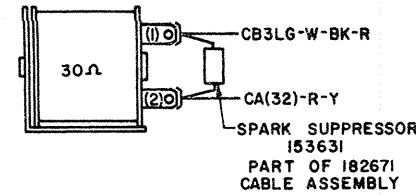
CG
SPEAKER
182682



CE
DIAL TERMINAL STRIP
182717



CH
BUZZER
182718



SEE ISSUE CONTROL RECORD FOR COMPLETE LIST OF SHEETS COMPRISING THIS W.D.

NOTES ON SHEET 1
SHEET 2

ACTUAL
WIRING DIAGRAM
FOR
CALL CONTROL UNIT,
UCC-3
MODEL 33
8 LEVEL
AUTOMATIC - SEND RECEIVE (ASR)
SEND-RECEIVE (KSR)

APPROVALS

D AND R <i>oab</i>	E OF M <i>ll</i>
-----------------------	---------------------

E-NUMBER
PROD. NO. 7888WD
DATE 10-15-65
P.D. FILE NO. G-A152AA
DRAWN R.H.B. CHKD. *llr*
ENGD. J.W.S. APPD. *oab*

TELETYPE CORPORATION

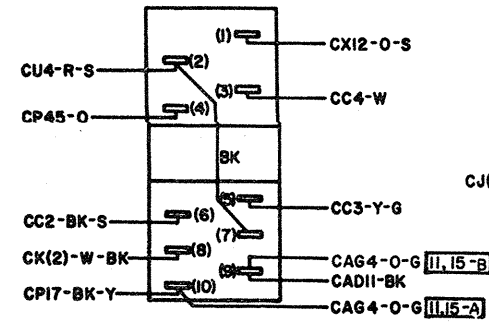
7888 WD

NOTE:
REVISION INFORMATION MUST
ALSO BE REFLECTED ON THE
ISSUE CONTROL RECORD, WHICH
IS A PART OF THIS DRAWING.

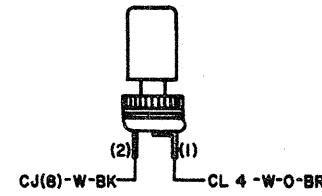
REVISIONS

ISSUE	DATE	AUTH. NO.
1	2-23-66	17470-R
2	6-7-66	89162
3	6-10-66	89476-1
4	6-29-66	90965
5	9-8-66	91193
6	11-4-66	91413

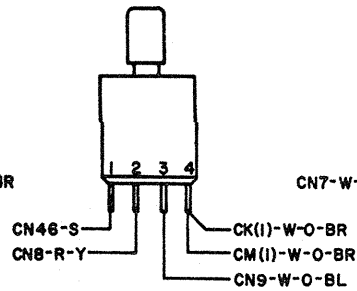
CJ
OUT OF SERVICE SWITCH
182688



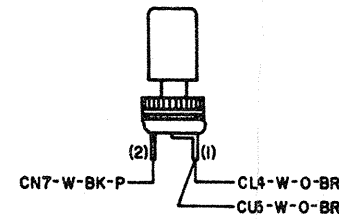
CK
OUT OF SERVICE LAMP BREAK RELEASE SWITCH
182658



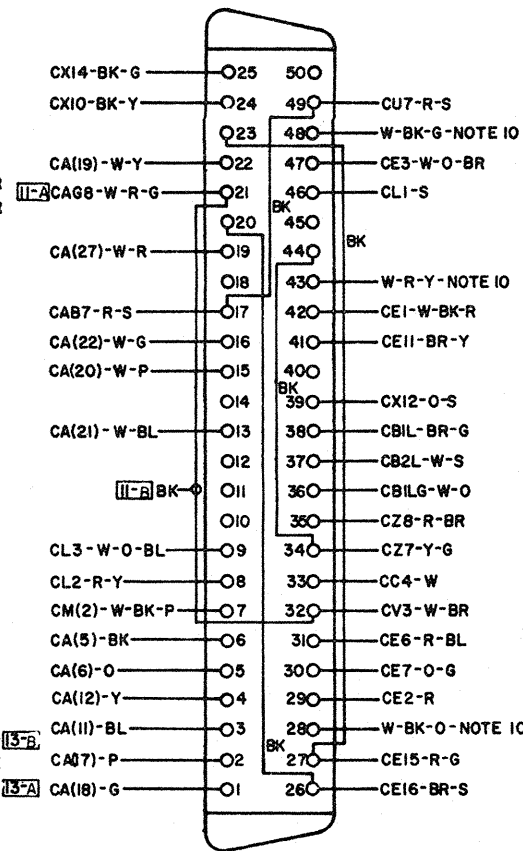
CL
BREAK RELEASE SWITCH
182660



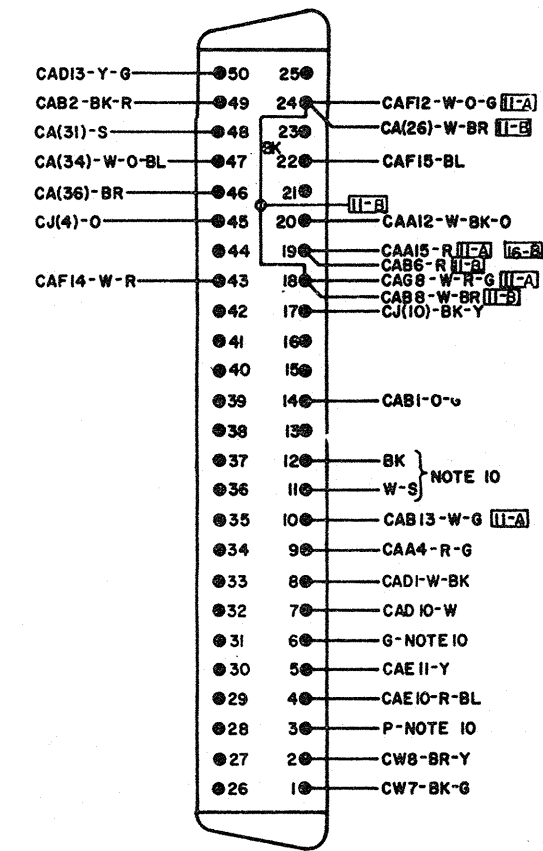
CM
RESTRAIN LAMP
182658



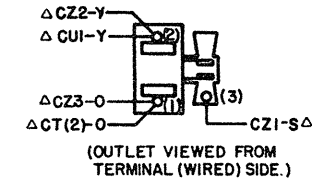
CN
CONNECTOR RECEPTACLE - 50 PT.
182733



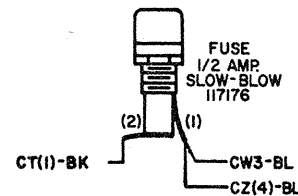
CP
CONNECTOR PLUG 50 PT.
182732



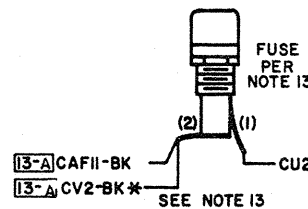
CQ
CONVENIENCE OUTLET
178831-833



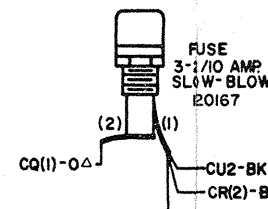
CR
FUSEHOLDER (S.M.D.)
182182



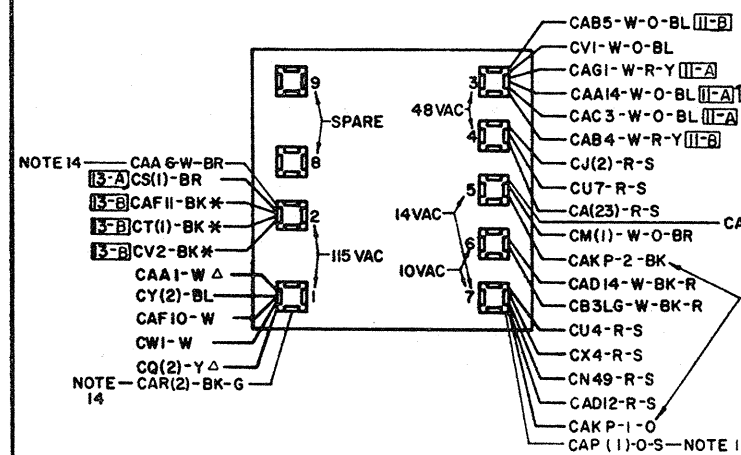
CS
FUSEHOLDER (TRANSF.)
182182



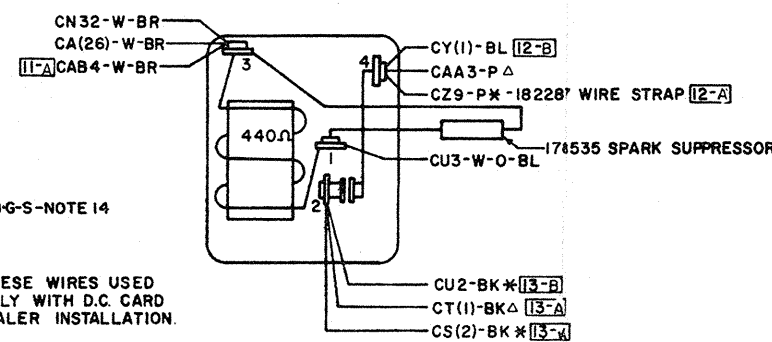
CT
FUSEHOLDER (SET)
182182



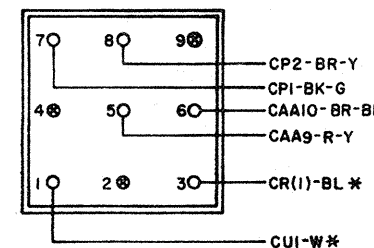
CU
POWER TRANSFORMER
181879 OR 182657 - NOTE 13



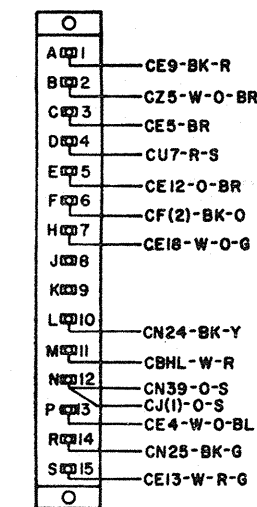
CV
MOTOR CONTROL RELAY
182669



CW
9 POINT CONNECTOR RECEPTACLE (S.M.D.)
182645



CX
CIRCUIT CARD CONNECTOR (AMPL.)
182536



SEE ISSUE CONTROL RECORD FOR COMPLETE LIST OF SHEETS COMPRISING THIS W.D.

NOTES ON SHEET 1
SHEET 3

ACTUAL WIRING DIAGRAM FOR CALL CONTROL UNIT UCC-3 MODEL 33 8 LEVEL AUTOMATIC SEND-RECEIVE (ASR) SEND-RECEIVE (KSR)

APPROVALS

D AND R: *gals*
E OF M: *LI*

E-NUMBER
PROD. NO. 7888WD

DATE 10-19-65

P.D. FILE NO. G-A192AA

DRAWN R.H.B. CHKD. *gals*

ENGD. J.W.S. APPD. *gals*

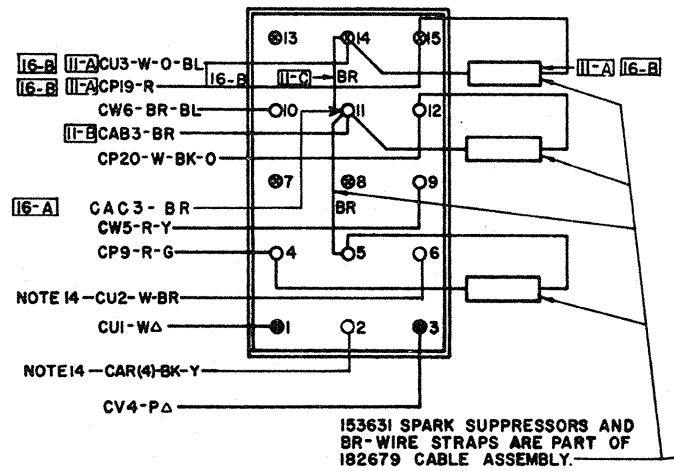
TELETYPE CORPORATION

7888 WD

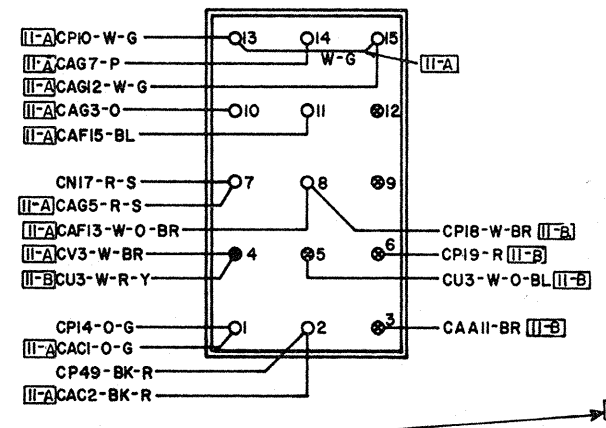
NOTE:
REVISION INFORMATION MUST
ALSO BE REFLECTED ON THE
ISSUE CONTROL RECORD, WHICH
IS A PART OF THIS DRAWING.

REVISIONS		
ISSUE	DATE	AUTH. NO.
1	2-23-66	17470-R
2	6-7-66	89162
3	6-10-66	89476-1
4	9-8-66	91193
5	11-4-66	91413

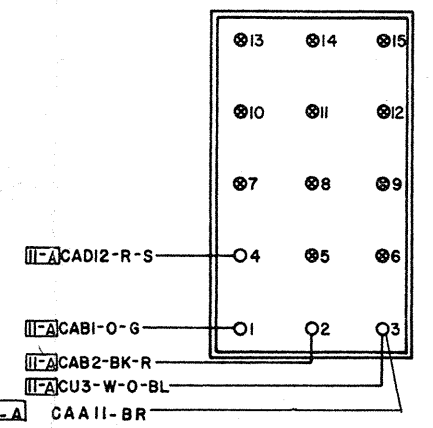
CAA → BE
15 POINT RECEPTACLE
CONNECTOR
182539
4 POWER



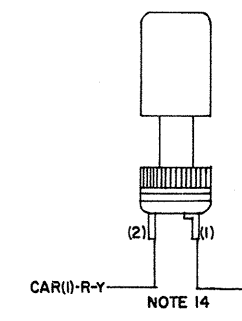
CAB
15 POINT RECEPTACLE
CONNECTOR
182539
3 FUNCTIONS



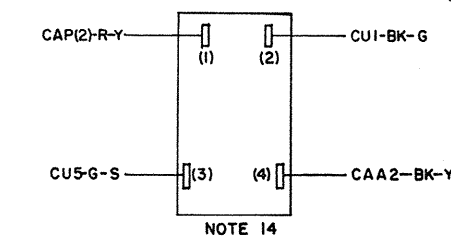
CAC
15 POINT RECEPTACLE
CONNECTOR
182539
2



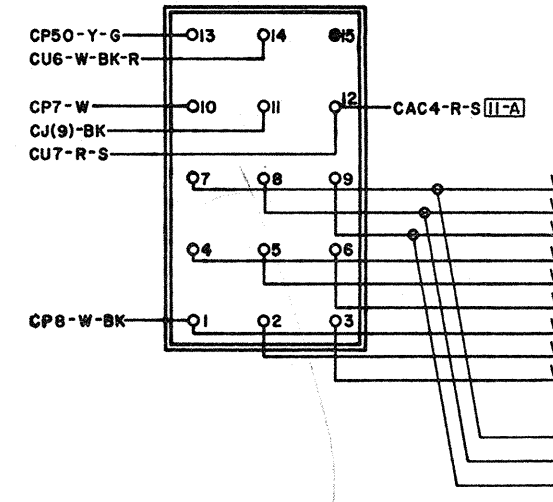
CAP
NONPRINT
LAMP
182658



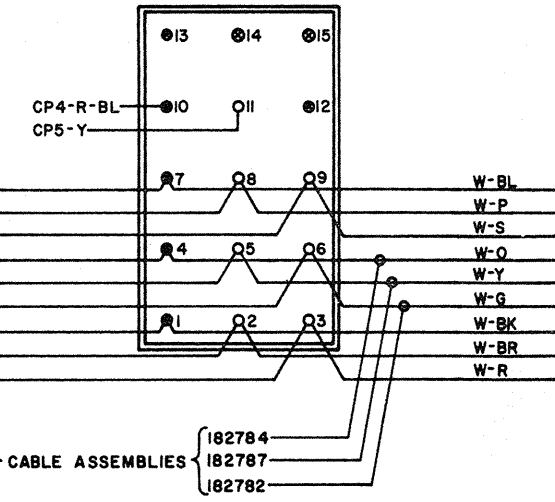
CAR
NONPRINT
TOGGLE SWITCH
105803



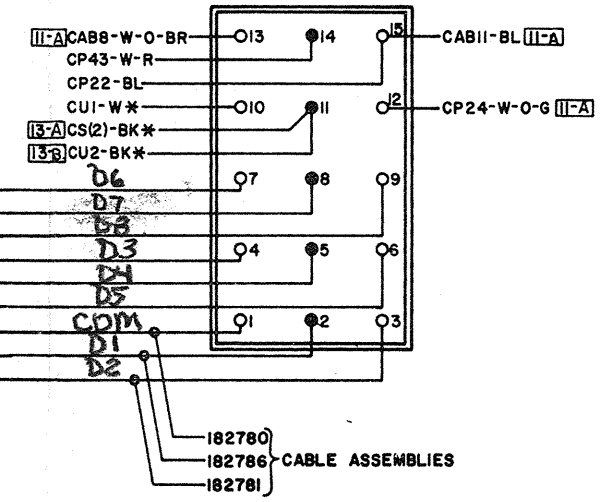
CAD → BM
15 POINT RECEPTACLE
CONNECTOR
182539
8 DIST.



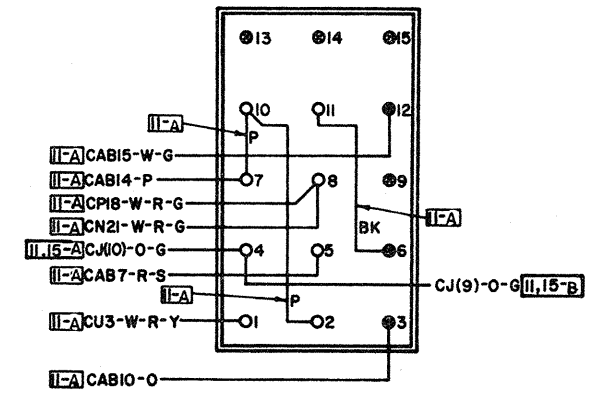
CAE → BN
15 POINT RECEPTACLE
CONNECTOR
182539
7 KBD



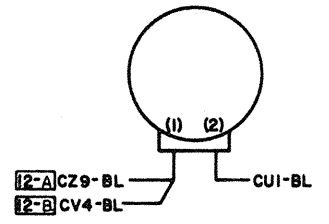
CAF → BP
15 POINT RECEPTACLE
CONNECTOR
182539
6 READER



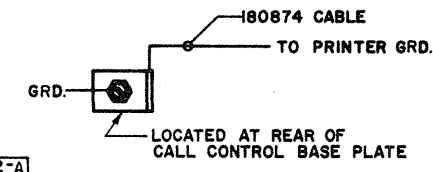
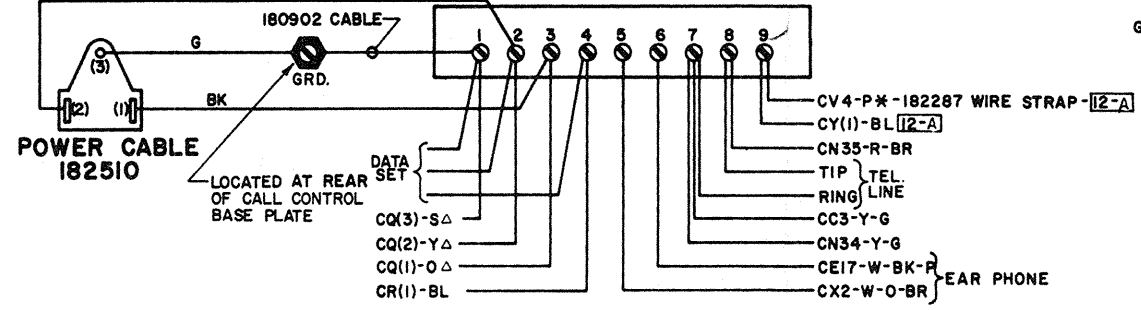
CAG
15 POINT RECEPTACLE
CONNECTOR
182539
5-(NOTE II)



CY
ELAPSED TIME INDICATOR
181265



CZ
POWER TERMINAL BLOCK
151411



SEE ISSUE CONTROL RECORD FOR COMPLETE LIST OF SHEETS COMPRISING THIS W.D.

NOTES ON SHEET I
SHEET 4

ACTUAL WIRING DIAGRAM FOR CALL CONTROL UNIT UCC-3 MODEL 33 8 LEVEL AUTOMATIC SEND-RECEIVE (ASR) SEND-RECEIVE (KSR)

APPROVALS

D AND R
E OF M

E-NUMBER
PROD. NO. 7888 WD
DATE 10-22-65
P.D. FILE NO. G-A152AA
DRAWN R.H.B. CHKD. J.S.L.
ENGD. J.W.S. APPD. J.S.L.

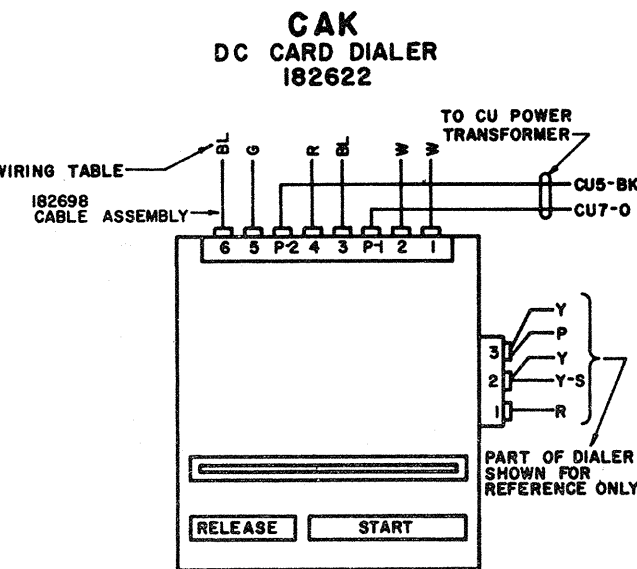
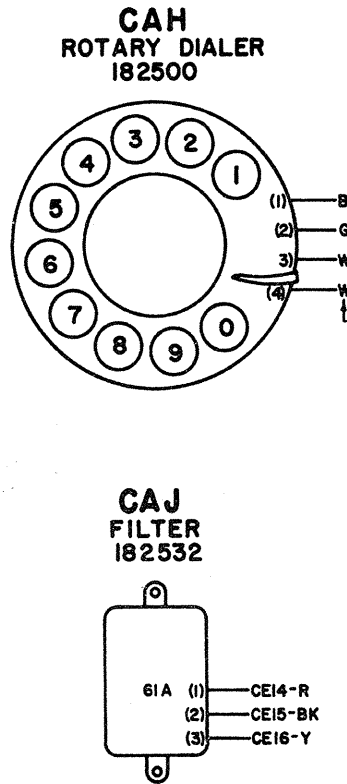
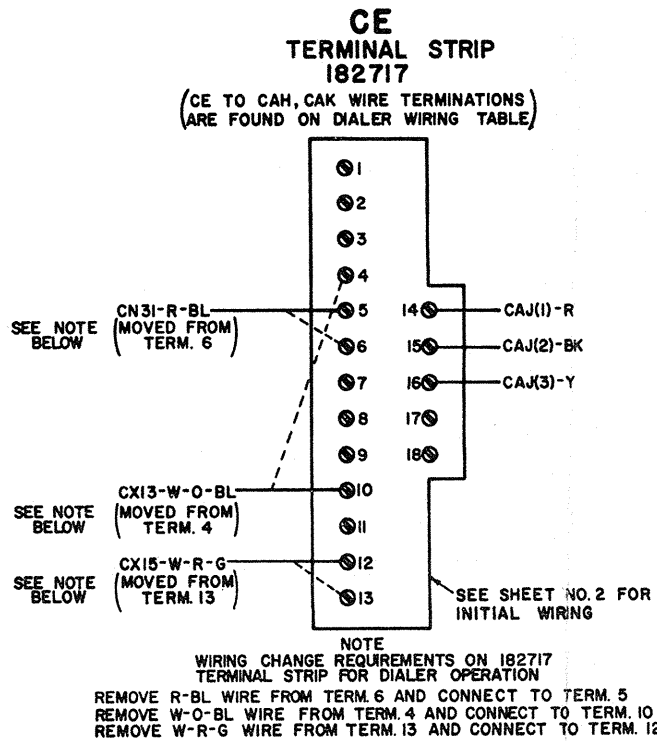
TELETYPE CORPORATION

7888 WD

DC ROTARY DIALER
DC PULSING CARD DIALER

DIALER WIRING TABLE

CE - TERMINAL STRIP TERMINATION	ROTARY DIALER 182500 ONLY	ROTARY DIALER-182500 & DC CARD DIALER-182622
	CAH WIRE CODE DESIGNATIONS	CAH, CAK WIRE CODE DESIGNATIONS
8		CAH(1)-BL, CAK3-BL, CAK6-BL
14	CAH(2)-G	CAH(2)-G, CAK4-R
15	CAH(1)-BL	CAK5-G
17	CAH(3)-W	CAH(3)-W, CAK1-W
18	CAH(4)-W	CAH(4)-W, CAK2-W



NOTE:
REVISION INFORMATION MUST ALSO BE REFLECTED ON THE ISSUE CONTROL RECORD, WHICH IS A PART OF THIS DRAWING.

7888 WD

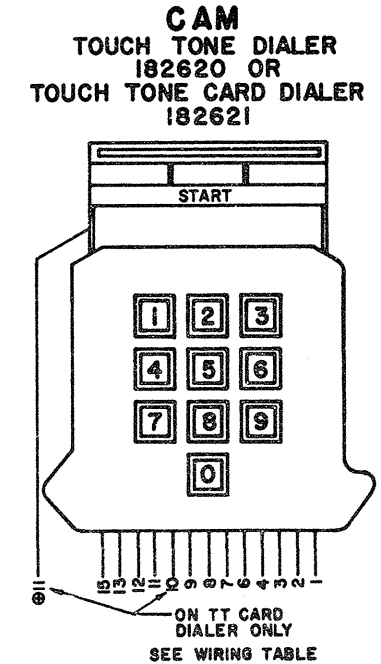
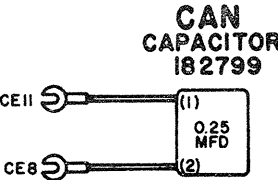
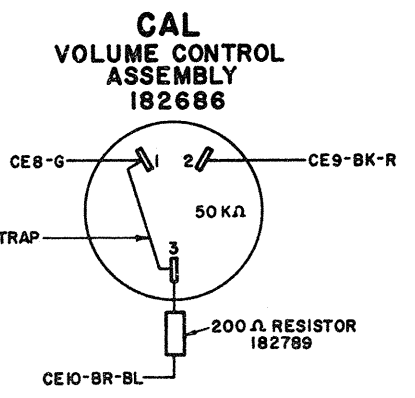
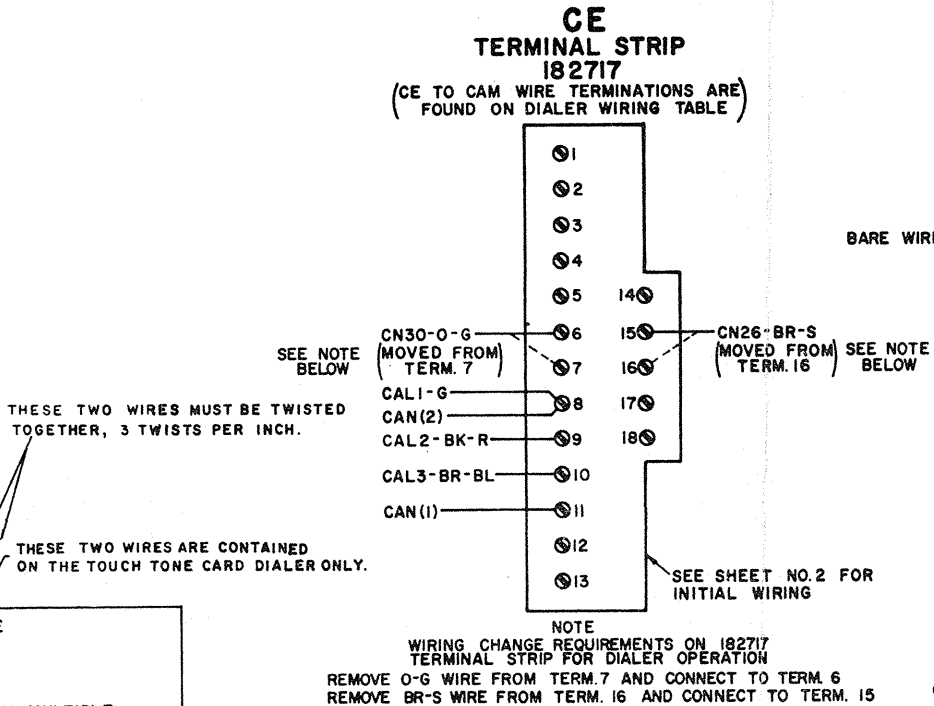
REVISIONS		
ISSUE	DATE	AUTH. NO.
1	2-23-66	17470-R
2	11-12-66	92184 RC
3	2-22-67	93003-1

TOUCH TONE DIALER
TOUCH TONE CARD DIALER

DIALER WIRING TABLE

CE - TERMINAL STRIP TERMINATION	TOUCH TONE MANUAL DIALER 182620				TOUCH TONE CARD DIALER 182621			
	OLD STYLE WIRE TERMINAL & COLOR CODE		NEW STYLE * WIRE TERMINAL & COLOR CODE		OLD STYLE WIRE TERMINAL & COLOR CODE		NEW STYLE * WIRE TERMINAL & COLOR CODE	
	M	N	M	N	M	N	M	N
1		7-W-P-G		7-O				
2		8-P		15-BL-BK				
3	9-W-P-P	9-W-P-P	9-P-BL	9-P-BL				
4	13-W-R-R 8-P	13-W-R-R	15-BL-BK 13-G-W	13-G-W				
5	4-R	4-R	4-R	4-R				
6	12-Y	12-Y	3-R-G	3-R-G				
8	1-G	1-G	1-G	1-G				
10	7-W-P-G		7-O					
11	6-W-O-BK	6-W-O-BK	6-O-BK	6-O-BK				
12	2-W	2-W	2-W	2-W				
13	11-BL-W 10-W-BK-BK	11-BL-W 10-W-BK-BK	8-W-BL 10-BK	8-W-BL 10-BK				

M-COLUMN - CONNECTIONS WITHOUT DIAL TONE DETECTION (DATA SET)
N-COLUMN - CONNECTIONS WITH DIAL TONE DETECTION (DATA SET)
WHITE COLOR MAY OR MAY NOT BE PRESENT IN MULTIPLE COLOR CODED WIRES.
*CURRENT STYLE DIALERS DO NOT CONTAIN WIRE TERMINATION NUMBERS.



SEE ISSUE CONTROL RECORD FOR COMPLETE LIST OF SHEETS COMPRISING THIS W.D.

NOTES ON SHEET 1 SHEET 5

ACTUAL WIRING DIAGRAM FOR CALL CONTROL UNIT UCC-3 MODEL 33 8 LEVEL AUTOMATIC SEND-RECEIVE (ASR) SEND-RECEIVE (KSR)

APPROVALS

D AND R E OF M
O.A.L. ✓

E-NUMBER

PROD. NO. 7888 WD

DATE 10-25-65

R.D. FILE NO. 6-A152AA

DRAWN R.H.B. CHKD. J.R.

ENGD. J.W.S. APPD. O.A.L.

TELETYPE CORPORATION