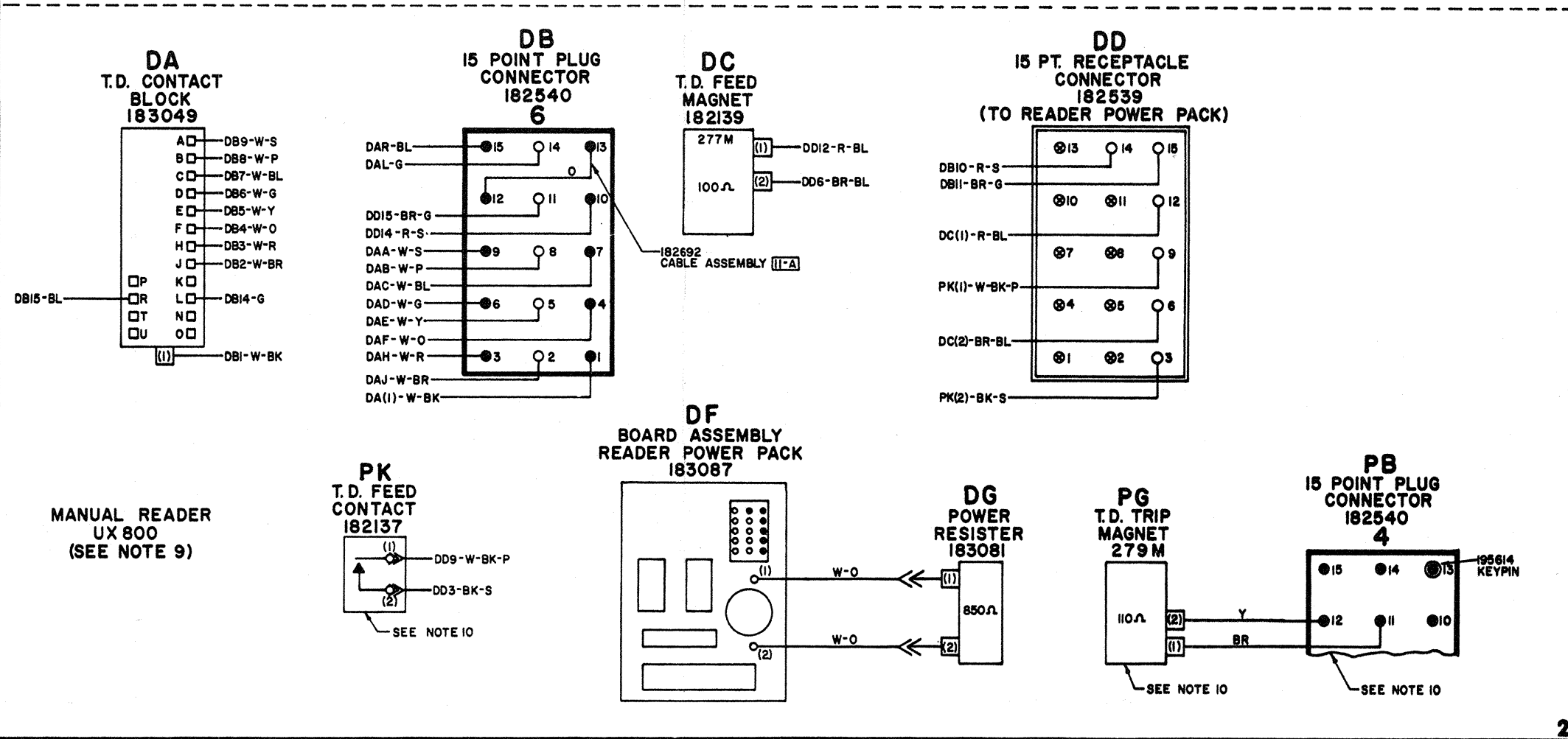
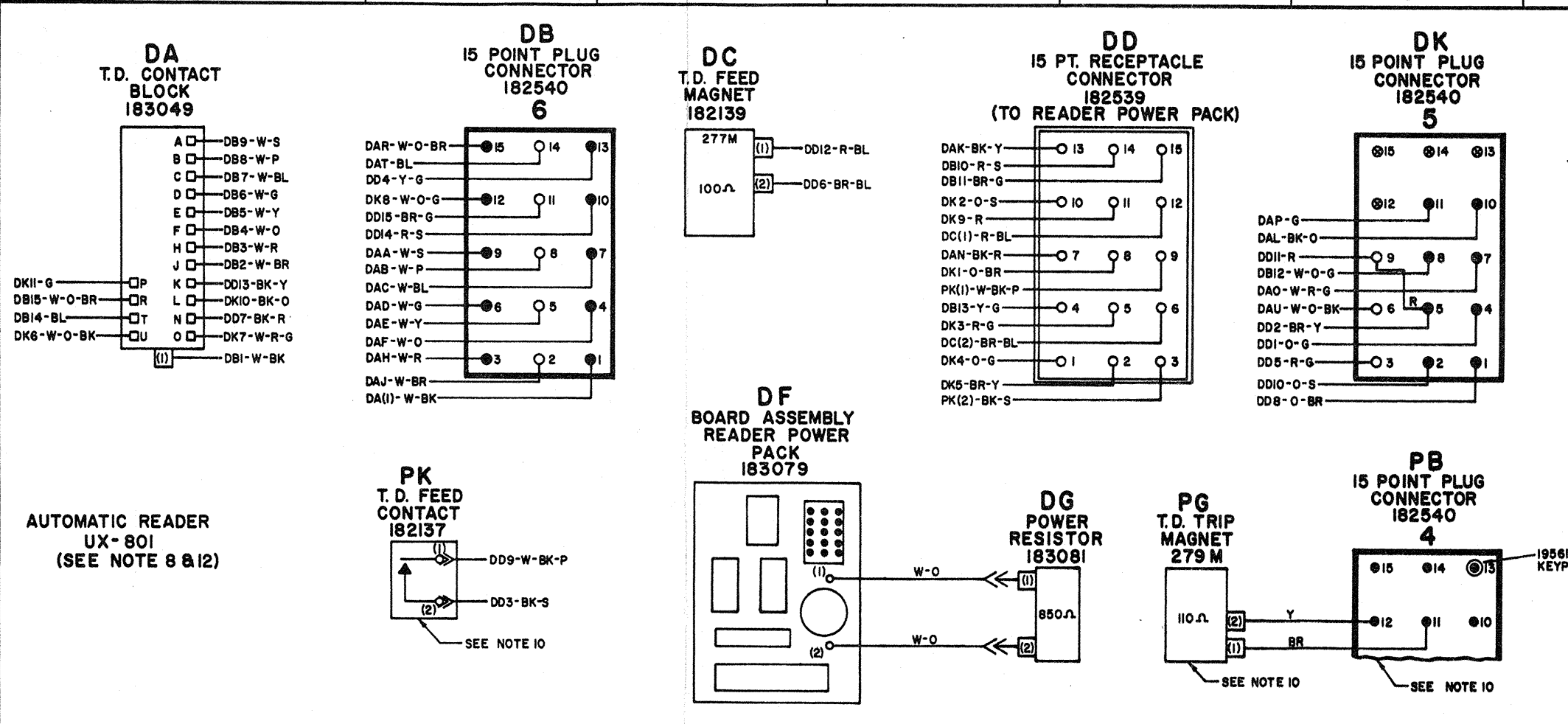


7887 WD

REVISIONS

ISSUE	DATE	AUTH. NO.
1	4-25-66	17470-R
2	11-3-66	92300 RC

- NO. NOTES**
1. WIRING LEGEND:
 DISTANT TERMINATING AREA
 DISTANT TERMINATING DESIGNATION
 COLOR CODE
 DB4-BL
 2. WIRE COLOR CODE:
 W-WHITE BL-BLUE
 BK-BLACK BR-BROWN
 O-ORANGE P-PURPLE
 Y-YELLOW S-SLATE
 G-GREEN R-RED
 3. TERMINALS DESIGNATED () DO NOT APPEAR ON COMPONENT.
 4. FOR TELETYPE PERSONNEL REFERENCES: SPECIFICATION 6042IS
 5. CONNECTORS VIEWED FROM WIRED END.
 6. FOR SCHEMATIC WIRING DIAGRAM SEE 7882WD.
 7. ASSOCIATED UNIT ACTUAL WIRING DIAGRAMS
 7884WD PRINTER-UP800,801,802,803,820
 7885WD KEYBOARD-UK800,804
 7886WD MOTOR
 7888WD CALL CONTROL-UCC-3
 4970WD SELECTOR MAGNET DRIVER
 8. OPTIONAL UX-801 AUTOMATIC READER-183075 CABLE ASSEMBLY. USED ONLY WITH UP801,803,820 PRINTER ASSEMBLIES.
 9. MANUAL READER-UX800 183074 CABLE ASSEMBLY. USED ONLY WITH UP801,803 PRINTER ASSEMBLIES.
 10. THESE COMPONENTS ARE MOUNTED ON UP801,803,820 PRINTER ASSEMBLIES BUT ACTUALLY ARE PART OF READER CIRCUIT. SEE PRINTER 7884WD.
 11. 182692 CABLE ASSEMBLY (STRAP) NOT REQUIRED WHEN UX800 IS USED WITH EARLY STYLE (BEFORE UCC-3 WIRING CHANGED TO ACCOMMODATE UX801 FACILITIES) UCC-3 CALL CONTROL UNITS WITHOUT WIRES IN POSITION 12 AND 13 OF MATING CALL CONTROL RECEPTACLE CONNECTOR NO. 6.
 12. SEE PRINTER 7884WD FOR MODIFICATION TO UP801,803 PRINTER ASSEMBLIES TO PROVIDE AUTOMATIC READER CONTROL OPTIONS.
 13. WIRING STATUS:
 RECTANGULAR BOX INDICATES HISTORY OF WIRING CHANGES
 B - DENOTES WIRING BEFORE THE CHANGE DESCRIBED BY THE DESIGNATED NOTE NUMBER ENTERED THE PRODUCT.
 A - DENOTES WIRING AFTER THE CHANGE DESCRIBED BY THE DESIGNATED NOTE ENTERED THE PRODUCT.



ACTUAL WIRING DIAGRAM FOR MODEL 33 8 LEVEL MANUAL OR AUTOMATIC TRANSMITTER DISTRIBUTOR (TAPE READER) UX-800-MANUAL READER UX-801-AUTOMATIC READER

APPROVALS

D AND R <i>dal</i>	E OF M
-----------------------	--------

E-NUMBER
 PROD. NO. 7887 WD
 DATE 8-3-68
 R.D. FILE NO. G-A182AA
 DRAWN R.H.B. CHKD. *dal*
 ENGD. J.W.S. APPD. *dal*

TELETYPE CORPORATION
 7887 WD