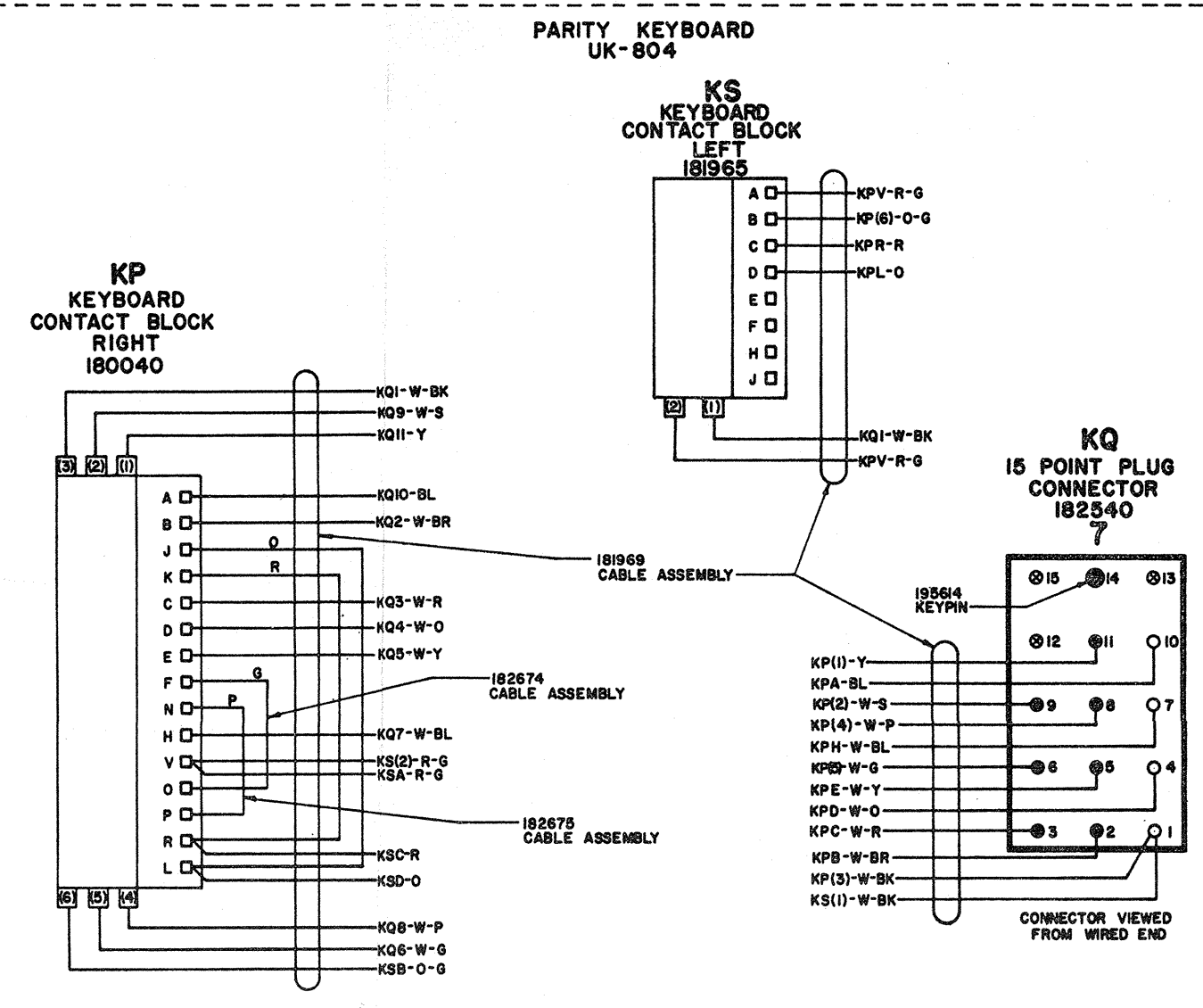
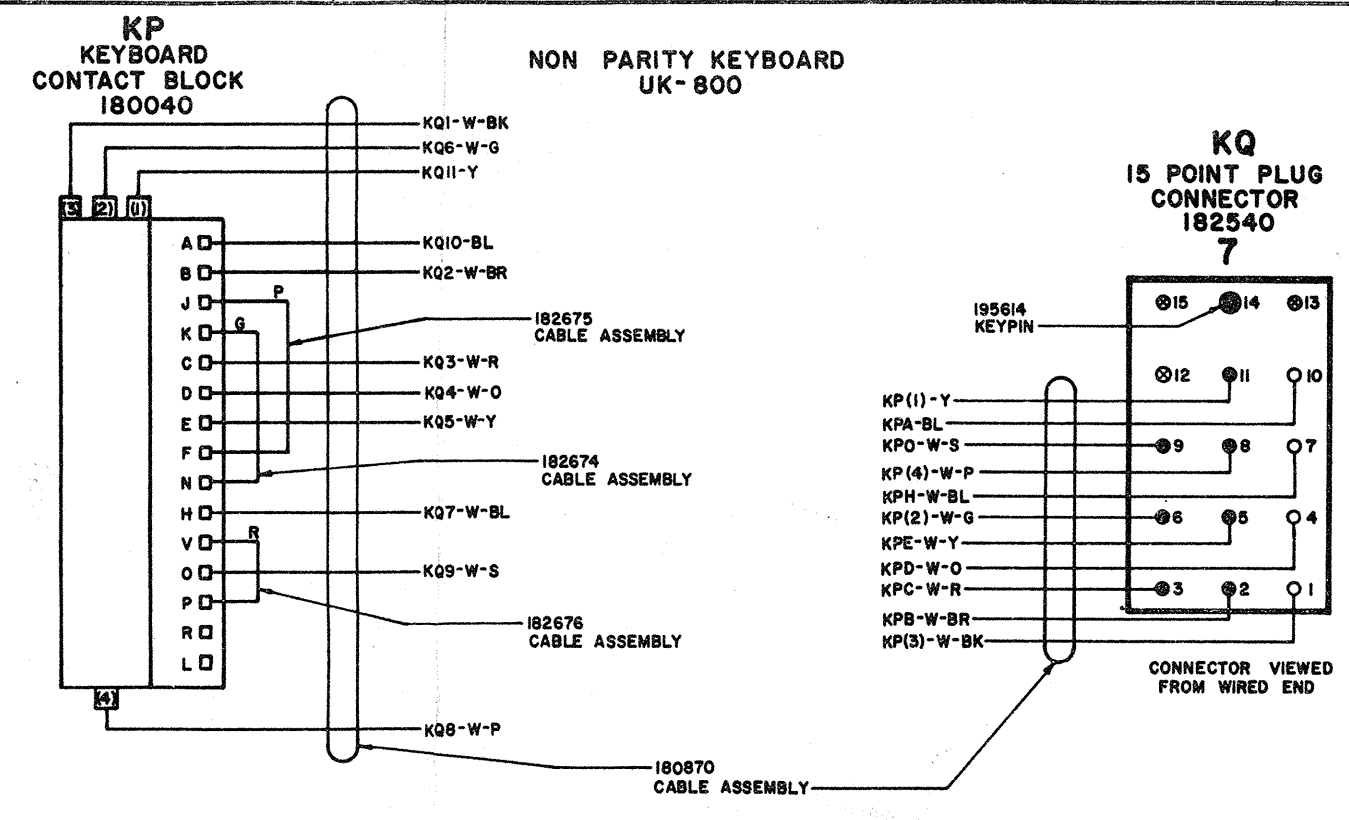


7885 WD

REVISIONS

ISSUE	DATE	AUTH. NO.
- 1	2-23-66	17470-R
- 2	11-3-66	92300 RC

- NO. NOTES**
- WIRING LEGEND:**
 DISTANT TERMINATING AREA
 DISTANT TERMINATING DESIGNATION
 COLOR CODE
 KQ1-W-BK
 - WIRE COLOR CODE:**
 W-WHITE BL-BLUE
 BK-BLACK BR-BROWN
 O-ORANGE P-PURPLE
 Y-YELLOW S-SLATE
 G-GREEN R-RED
 - TERMINALS DESIGNATED () DO NOT APPEAR ON COMPONENT.
 - FOR TELETYPE PERSONNEL REFERENCE: SPECIFICATION 6713S
 - FOR SCHEMATIC WIRING DIAGRAM SEE 7882WD.
 - ASSOCIATED UNIT ACTUAL WIRING DIAGRAMS:
 7884WD PRINTER - UP800,801,802,803,820
 7885WD MOTOR
 7887WD TAPE READER - UX800,801
 7888WD CALL CONTROL - UCC-3
 4970WD SELECTOR MAGNET DRIVER
 - WIRING STATUS:**
 RECTANGULAR BOX INDICATES HISTORY OF WIRING CHANGES
 [00-B] B - DENOTES WIRING BEFORE THE CHANGE DESCRIBED BY THE DESIGNATED NOTE ENTERED THE PRODUCT.
 [00-A] A - DENOTES WIRING AFTER THE CHANGE DESCRIBED BY THE DESIGNATED NOTE ENTERED THE PRODUCT.



ACTUAL WIRING DIAGRAM FOR MODEL 33 6 LEVEL KEYBOARD NON PARITY-UK800 PARITY-UK804

APPROVALS

D AND R <i>RAL</i>	E OF M <i>[Signature]</i>
-----------------------	------------------------------

E-NUMBER
PROD. NO. 7885WD

DATE 7-1-66

P.D. FILE NO. 1-165.153AA

DRAWN R.H.B. CHKD. *[Signature]*

ENGD. J.W.S. APPD. *[Signature]*

TELETYPE CORPORATION

7885 WD