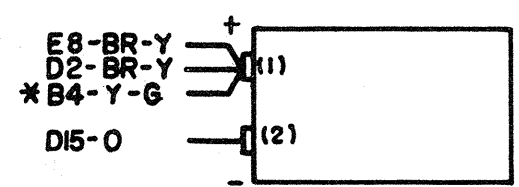


4970 WD

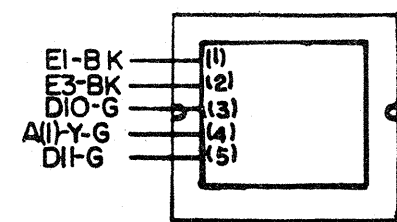
ISSUE	DATE	AUTH. NO.
A	8-13-62	30-1265
B	8-15-63	77081
C	1-31-64	79903

- NO. NOTES
- WIRING CODE
 - SEE 4979WD FOR SCHEMATIC WIRING DIAGRAM
 - USE CABLE 182696
 - * DENOTES #20 AWG WIRE. ALL OTHERS #24AWG

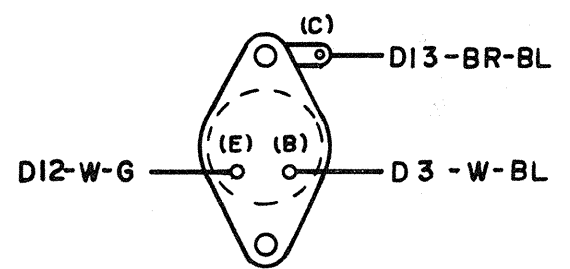
A
CAPACITOR FILTER
(182501)



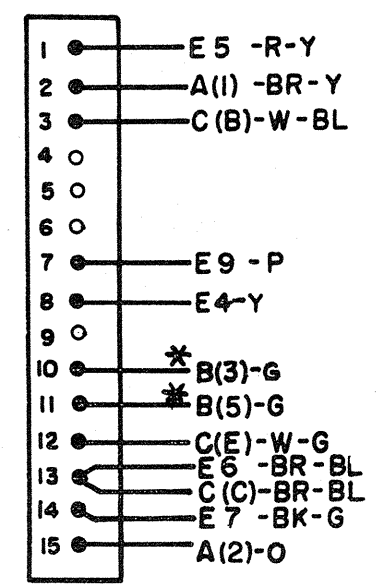
B
TRANSFORMER, POWER
(182722)



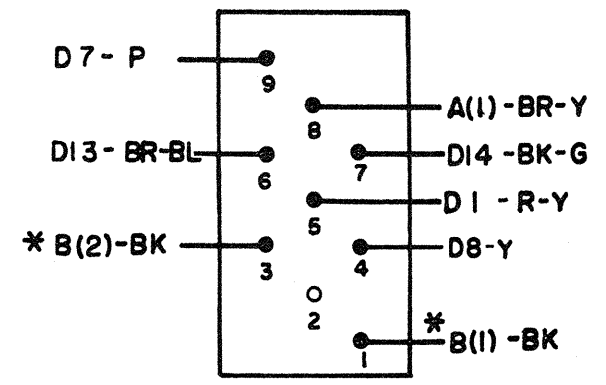
C
TRANSISTOR, POWER
(181675)



D
CONNECTOR, CARD
(182536)



E
CONNECTOR, PLUG
(182716)



ACTUAL WIRING DIAGRAM FOR 182695 SELECTOR MAGNET DRIVER

APPROVALS

D AND R	E OF M

E-NUMBER

PROD. NO. 4970 WD

DATE: 6-22-62

P.D. FILE NO 1-165.153AA

DRAWN. C.A. CHKD.

ENGD. P.R.S. APPD.

TELETYPE CORPORATION

4970 WD